



**NASA TECHNICAL
STANDARD**

**National Aeronautics and Space Administration
Washington, DC 20546-0001**

NASA-STD-6001B

**Approved: 08-26-2011
Superseding: NASA-STD-6001 and
NASA-STD-(I)-6001B**

**FLAMMABILITY, OFFGASSING, AND COMPATIBILITY
REQUIREMENTS AND TEST PROCEDURES**

**MEASUREMENT SYSTEM IDENTIFICATION:
METRIC/SI**

APPROVED FOR PUBLIC RELEASE—DISTRIBUTION IS UNLIMITED

NASA-STD-6001B

DOCUMENT HISTORY LOG

Status	Document Revision	Approval Date	Description
Baseline		02-09-1998	Baseline Release
Interim	A	04-21-2008	Interim Revision
Interim	B	11-10-2009	Interim Revision
Revision	B	08-26-2011	General Revision: Changes are not listed; reader must review complete document.

APPROVED FOR PUBLIC RELEASE—DISTRIBUTION IS UNLIMITED

NASA-STD-6001B

FOREWORD

This Standard is published by the National Aeronautics and Space Administration (NASA) to provide uniform engineering and technical requirements for processes, procedures, practices, and methods that have been endorsed as standard for NASA programs and projects, including requirements for selection, application, and design criteria of an item.

This Standard is approved for use by NASA Headquarters and NASA Centers, including Component Facilities and Technical and Service Support Centers.

This Standard establishes requirements for evaluation, testing, and selection of materials that are intended for use in space vehicles and associated Ground Support Equipment (GSE). These requirements may also apply to facilities used during assembly, test, and flight operations, when imposed contractually to ensure safety of personnel and flight hardware. Included are requirements, criteria, and test methods for evaluating the flammability, offgassing, and compatibility of materials. Provisions of this Standard will be included, as applicable, in all future contracts and programs involving space vehicles, payloads, and associated support equipment. This Standard was previously published as NASA Handbook (NHB) 8060.1, Flammability, Odor, Offgassing, and Compatibility Requirements and Test Procedures for Materials in Environments that Support Combustion.

Requests for information, corrections, or additions to this Standard should be submitted via “Feedback” in the NASA Standards and Technical Assistance Resource Tool at <http://standards.nasa.gov>.

Original Signed By:

08/26/2011

Michael Ryschkewitsch
NASA Chief Engineer

Approval Date

APPROVED FOR PUBLIC RELEASE—DISTRIBUTION IS UNLIMITED

NASA-STD-6001B

TABLE OF CONTENTS

<u>SECTION</u>	<u>PAGE</u>
DOCUMENT HISTORY LOG.....	2
FOREWORD.....	3
TABLE OF CONTENTS	4
LIST OF FIGURES.....	7
LIST OF TABLES	7
1. SCOPE	8
1.1 Purpose.....	8
1.2 Applicability.....	8
1.3 Tailoring.....	8
2. APPLICABLE DOCUMENTS.....	9
2.1 General	9
2.2 Government Documents	9
2.3 Non-Government Documents	10
2.4 Order of Precedence.....	11
3. ACRONYMS AND DEFINITIONS	12
3.1 Acronyms and Abbreviations.....	12
3.2 Definitions.....	14
4. EVALUATION AND TESTING OF MATERIALS	16
4.1 Material Evaluation Requirements.....	16
4.2 Materials Usage Agreement (MUA).....	17
5. APPLICABLE MATERIAL TESTS	17
6. SYSTEM EVALUATIONS.....	19
6.1 System Flammability in Low-Pressure Air or Oxygen-Enriched Environments, Including Habitable Environments	20
6.2 Spacecraft Offgassing	20
6.3 Material and Component Compatibility in LOX and GOX Environments	21
6.4 Materials Compatibility in Systems Containing Reactive Fluids	24

APPROVED FOR PUBLIC RELEASE—DISTRIBUTION IS UNLIMITED

NASA-STD-6001B

TABLE OF CONTENTS (Continued)

<u>SECTION</u>		<u>PAGE</u>
7.	TEST METHODS	25
7.1	Upward Flame Propagation (Test 1)	28
7.2	Heat and Visible Smoke Release Rates (Test 2)	32
7.3	Flash Point of Liquids (Test 3)	32
7.4	Electrical Wire Insulation Flammability (Test 4)	32
7.5	Electrical Connector Potting and Conformal Coating Flammability (Test 5)	36
7.6	Odor Assessment (Test 6)	36
7.7	Determination of Offgassed Products (Test 7)	36
7.8	Flammability Test for Materials in Vented or Sealed Containers (Test 8)	43
7.9	Electrical Overload for Sealed Containers (Test 9)	43
7.10	Configurational Flammability (Test 10)	44
7.11	Guidelines for Simulated Crew Bay Configuration Flammability Verification Test (Test 11)	44
7.12	Total Spacecraft Offgassing (Test 12)	44
7.13	Mechanical Impact for Materials in Ambient Pressure LOX (Test 13A) and Mechanical Impact for Materials in Variable Pressure LOX and GOX (Test 13B).....	44
7.14	Pressurized Gaseous Oxygen Pneumatic Impact for Nonmetals (Test 14)	44
7.15	Reactivity of Materials in Hydrazine, Monomethylhydrazine, Unsymmetrical Dimethylhydrazine, Aerozine 50, Nitrogen Tetroxide, and Ammonia (Test 15).....	44
7.16	Determination of Offgassed Products from Assembled Article (Test 16)	55
7.17	Upward Flammability of Materials in GOX (Test 17)	55
7.18	Arc Tracking (Dry Arc Propagation Resistance) (Test 18)	57

APPENDICES

A	Supplemental Tests	60
A.1	Purpose and/or Scope.....	60
A.2	Test Methods for Providing Supplemental Data.....	60
A.2.1	Heat and Visible Smoke Release Rates (Test 2)	61
A.2.2	Flash Point of Liquids (Test 3)	64

APPROVED FOR PUBLIC RELEASE—DISTRIBUTION IS UNLIMITED

NASA-STD-6001B

APPENDICES (Continued)

A.2.3	Odor Assessment (Test 6)	65
A.2.4	Configurational Flammability (Test 10)	72
A.2.5	Mechanical Impact for Materials in Ambient Pressure LOX (Test 13A) and Mechanical Impact for Materials in Variable Pressure GOX and LOX (Test 13B)	73
A.2.6	Gaseous Fluid Impact for Components.....	76
A.2.7	Reactivity and Penetration of Materials due to Incidental Exposure to Hydrazine, Monomethylhydrazine, Unsymmetrical Dimethylhydrazine, Aerozine 50, Nitrogen Tetroxide, and Ammonia	78
A.2.8	Autogenous Ignition Temperature	84
A.2.9	Heat of Combustion	85
A.2.10	Oxygen Index	87
A.2.11	Electrical Arc Test	88
A.2.12	Frictional Heating	90
A.2.13	Particle Impact Test	94
B	Certification of Facilities	102
C	Reference Documents	105
D	Submitting Material for Testing.....	106

APPROVED FOR PUBLIC RELEASE—DISTRIBUTION IS UNLIMITED

NASA-STD-6001B

LIST OF FIGURES

<u>FIGURE</u>		<u>PAGE</u>
1	Approach for Selecting Materials, Components, and Systems used in LOX and GOX Environments.....	22
2	Flammability Post-Test Specimen	29
3	Immersion Test System for Test 15	49
4	Test System for Test 2.....	63
5	Electrical Arc Test Apparatus	89
6	Frictional Heating Test System.....	92
7	Rotational Frictional Heating Stationary Test Specimen.....	92
8	High-Pressure Test Chamber	93
9	High-Velocity Particle Impact Target Specimen Configuration.....	97
10	Low-Velocity Particle Impact Target Specimen Configuration	97
11	High-Velocity Particle Impact Test System.....	98
12	Low-Velocity Particle Impact Test System	99
13	Representative Test Request Form.....	108

LIST OF TABLES

<u>TABLE</u>		<u>PAGE</u>
1	Required Tests for Each Material Use	18
2	Supplemental Tests for Each Material Use.....	19
3	Minimum Quantities of Materials Required for Testing for Each Atmosphere or Fluid	27
4	Standard Descriptive Terms and Definitions for Test 15 Post-Test Analysis.....	51
5	Seven Primary Standards for Detection of Odor.....	69
6	Key for Completing “Check Test(s) to be Performed” Section.....	107

APPROVED FOR PUBLIC RELEASE—DISTRIBUTION IS UNLIMITED

**FLAMMABILITY, OFFGASSING, AND COMPATIBILITY
REQUIREMENTS AND TEST PROCEDURES**

1. SCOPE

1.1 Purpose

The purpose of this Standard is to establish National Aeronautics and Space Administration (NASA) program requirements for evaluation, testing, and selection of materials to preclude unsafe conditions related to flammability, offgassing, and fluid compatibility. Additional materials performance requirements may be specified in other program or NASA Center-specific documentation.

1.2 Applicability

1.2.1 Materials intended for use in space vehicles, specified test facilities, and contractually specified Ground Support Equipment (GSE) shall meet the requirements of this Standard.

1.2.2 Responsible NASA Centers' materials and processes (M&P) organizations shall include applicable requirements of this Standard in their materials control programs.

This Standard is approved for use by NASA Headquarters and NASA Centers, including Component Facilities and Technical and Support Service Support Centers, and may be cited in contract, program, and other Agency documents as a technical requirement. This Standard may also apply to the Jet Propulsion Laboratory or to other contractors, grant recipients, or parties to agreements only to the extent specified or referenced in their contracts, grants, or agreements.

Requirements are numbered and indicated by the word "shall." Explanatory or guidance text (other than definitions) is indicated in italics beginning in section 4.

1.3 Tailoring

Tailoring of this Standard for application to a specific program or project shall be formally documented as part of program or project requirements and approved by the Technical Authority.

The roles and responsibilities of the NASA Technical Authority are defined in NPR 7120.5, NASA Space Flight Program and Project Management Requirements.

APPROVED FOR PUBLIC RELEASE—DISTRIBUTION IS UNLIMITED

NASA-STD-6001B

2. APPLICABLE DOCUMENTS

2.1 General

The documents listed in this section contain provisions that constitute requirements of this Standard as cited in the text.

2.1.1 The latest issuances of cited documents shall apply unless specific versions are designated.

2.1.2 Non-use of specific versions as designated shall be approved by the responsible Technical Authority.

The applicable documents are accessible via the NASA Standards and Technical Assistance Resource Tool at <http://standards.nasa.gov> or may be obtained from the Standards Developing Organizations or other document distributors.

2.2 Government Documents

Department of Defense

MIL-PRF-25604	Propellant, uns-Dimethylhydrazine
MIL-PRF-26536	Propellant, Hydrazine
MIL-PRF-26539	Propellants, Dinitrogen Tetroxide
MIL-PRF-27402	Propellant, Hydrazine-uns-Dimethylhydrazine (50% N ₂ H ₄ – 50% UDMH)
MIL-PRF-27404	Propellant, Monomethylhydrazine
MIL-STD-2223	Test Methods for Insulated Electric Wire (Method 3007, Dry Arc-Propagation Resistance only)

NASA

NASA-STD-5005	Standard for the Design and Fabrication of Ground Support Equipment
NASA-STD-6016	Standard Materials and Processes Requirements for Spacecraft

APPROVED FOR PUBLIC RELEASE—DISTRIBUTION IS UNLIMITED

NASA-STD-6001B

NASA/TM-2007-213740	Guide for Oxygen Compatibility Assessments on Oxygen Components and Systems
NPD 7100.8	Protection of Human Research Subjects
NPR 7100.1	Protection of Human Research Subjects

2.3 Non-Government Documents

ASTM International (ASTM) (originally known as the American Society for Testing and Materials)

ASTM D240	Standard Test Method for Heat of Combustion of Liquid Hydrocarbon Fuels by Bomb Calorimeter
ASTM D2863	Standard Test Method for Measuring the Minimum Oxygen Concentration to Support Candle-Like Combustion of Plastics (Oxygen Index)
ASTM D3294	Standard Specification for Polytetrafluoroethylene (PTFE) Resin Molded Sheet and Molded Basic Shapes
ASTM D4809	Standard Test Method for Heat of Combustion of Liquid Hydrocarbon Fuels by Bomb Calorimeter (Precision Method)
ASTM E502	Standard Test Method for Selection and Use of ASTM Standards for the Determination of Flash Point of Chemicals by Closed Cup Methods
ASTM E1354	Standard Test Method for Heat and Visible Smoke Release Rates for Materials and Products Using an Oxygen Consumption Calorimeter
ASTM G72	Standard Test Method for Autogenous Ignition Temperature of Liquids and Solids in a High-Pressure Oxygen-Enriched Environment
ASTM G74	Standard Test Method for Ignition Sensitivity of Materials to Gaseous Fluid Impact

APPROVED FOR PUBLIC RELEASE—DISTRIBUTION IS UNLIMITED

NASA-STD-6001B

ASTM G86	Standard Test Method for Determining Ignition Sensitivity of Materials to Mechanical Impact in Ambient Liquid Oxygen and Pressurized Liquid and Gaseous Oxygen Environments
ASTM G124-10	Standard Test Method for Determining the Combustion Behavior of Metallic Materials in Oxygen-Enriched Atmospheres
ASTM G125	Standard Test Method for Measuring Liquid and Solid Material Fire Limits in Gaseous Oxidants

International Organization for Standardization (ISO)

ISO 14624-1:2003	Space systems — Safety and compatibility of materials — Part 1: Determination of upward flammability of materials
ISO 14624-2:2003	Space systems — Safety and compatibility of materials — Part 2: Determination of flammability of electrical-wire insulation and accessory materials
ISO 14624-3:2005	Space systems — Safety and compatibility of materials — Part 3: Determination of offgassed products from materials and assembled articles

Society of Automotive Engineers International (SAE)

SAE AS4373	Test Methods for Insulated Electric Wire (Method 508, Dry Arc Propagation Resistance only)
------------	--

2.4 Order of Precedence

This Standard establishes requirements for evaluation, testing, and selection of materials to preclude unsafe conditions related to flammability, offgassing, and fluid compatibility but does not supersede nor waive established Agency requirements found in other documentation.

2.4.1 Conflicts between this Standard and other requirements documents shall be resolved by the responsible Technical Authority.

APPROVED FOR PUBLIC RELEASE—DISTRIBUTION IS UNLIMITED

3. ACRONYMS AND DEFINITIONS

3.1 Acronyms and Abbreviations

~	approximately
°C	degree Celsius
°F	degree Fahrenheit
≥	equal to or greater than
≤	equal to or less than
>	greater than
<	less than
μ	micro
μg	microgram(s)
μl	microliter(s)
-	minus
Ω	ohm(s)
%	percent
+	plus
±	plus or minus
ASTM	ASTM International (originally known as the American Society for Testing and Materials)
cal	calorie(s)
cc	cubic centimeter(s)
cm	centimeter(s)
CO	carbon monoxide
CO ₂	carbon dioxide
DSC	differential scanning calorimetry
e.g.	for example
Eq.	equation
ft	foot, feet
ft-lb	foot-pound(s)
FTIR	Fourier transform infrared spectroscopy
g	gram(s)
GLP	good laboratory practice(s)
GN ₂	gaseous nitrogen
GOX	gaseous oxygen
GSE	ground support equipment
H ₂	hydrogen
hr	hour(s)
IEC	International Electrotechnical Commission
in	inch(es)

APPROVED FOR PUBLIC RELEASE—DISTRIBUTION IS UNLIMITED

NASA-STD-6001B

ISO	International Organization for Standardization
ISS	International Space Station
J	joule(s)
JSC	Johnson Space Center
k	kilo
kg	kilogram(s)
kJ	kilojoule(s)
kPa	kiloPascal(s)
l	liter(s)
lb	pound(s)
lbf	pound(s)-force
LOX	liquid oxygen
M&P	materials and processes
M	mega
m	meter(s)
MAPTIS	Materials and Processes Technical Information System
mg	milligram(s)
MJ	megajoule(s)
MIL	military
min	minute(s)
ml	milliliter(s)
MLW	maximum limit weight
MPa	megaPascal(s)
mm	millimeter(s)
MMH	monomethylhydrazine
MOP	maximum operating pressure
MSDS	material safety data sheet
msec	millisecond(s)
MSFC	Marshall Space Flight Center
MUA	materials usage agreement
N ₂	nitrogen
N ₂ H ₄	hydrazine
N	newton(s)
NASA	National Aeronautics and Space Administration
NHB	NASA Handbook
NPD	NASA Policy Directive
NPR	NASA Procedural Requirements
NVR	nonvolatile residue
O ₂	oxygen
OCA	oxygen compatibility assessment
OSHA	Occupational Safety and Health Administration

APPROVED FOR PUBLIC RELEASE—DISTRIBUTION IS UNLIMITED

NASA-STD-6001B

oz	ounce(s)
P	minimum contact pressure
ppb	parts per billion
ppm	parts per million
PRF	performance
psi	pounds per square inch
psia	pounds per square inch absolute
psig	pounds per square inch gauge
RMS	root mean square
rpm	revolutions per minute
SAE	Society of Automotive Engineers International
sec	second(s)
SI	Systeme Internationale or metric system of measurement
SMAC	spacecraft maximum allowable concentration
STD	standard
T	toxic hazard index
TM	technical memorandum
UDMH	unsymmetrical dimethylhydrazine
V	volt(s)
v	linear surface velocity
VCS	voluntary consensus standard
W	watt(s)

3.2 Definitions

Test-specific definitions are also presented in descriptions of individual tests in this Standard (section 7 and Appendix A).

Ambient (room) temperature: Room temperature is 23 (± 5) °C (73 (± 9) °F).

Arc: A continuous, luminous discharge of electric current crossing a gap between two conducting surfaces.

Arc tracking (arc propagation): That phenomena whereby an arc between two or more wires, once initiated, will sustain itself through a conductive path provided by degradation of the insulation for a measurable length.

Assembled article: An assembled article could be any component or assembly of components that is not a single material.

Autogenous ignition temperature (autoignition temperature): The lowest temperature at which a material will spontaneously ignite under specific test conditions.

APPROVED FOR PUBLIC RELEASE—DISTRIBUTION IS UNLIMITED

NASA-STD-6001B

Degradation: An adverse physical or chemical change in a substance.

Enriched oxygen environment: Any environment that contains >21 percent oxygen by volume.

Flash point: The lowest temperature, corrected to a barometric pressure of 101.3 kPa (14.7 psia) at which application of an ignition source causes the vapors of a specimen to ignite under specified test conditions.

Gaseous fluid impact: Heat delivered to a specimen by rapid fluid compression; may also be referred to as pneumatic impact, rapid pressurization, or adiabatic compression.

Gaseous oxygen (GOX): Gaseous environment that contains ≥ 99.5 percent oxygen.

Good Laboratory Practices (GLP): A system of management controls for laboratories and research organizations to ensure the consistency and reliability of results as outlined in the Organisation for Economic Co-operation and Development Principles of GLP and national regulations.

Hermetically sealed: Contained such that the leak rate does not exceed 1×10^{-4} cc/sec.

Liquid oxygen (LOX): Cryogenic liquid environment that contains ≥ 99.5 percent oxygen.

Mechanical impact: Energy delivered by a plummet that has been dropped from a pre-established height onto a striker pin in contact with a specimen.

Offgassed product: An organic or inorganic compound evolved as a gas from a material or assembled article.

Offgassing: The evolution of gaseous products from a liquid or solid material into an atmosphere.

Oxygen Compatibility Assessment (OCA): A systematic approach for identifying and addressing the fire hazards in an oxygen system; this process emphasizes the evaluation of ignition mechanisms and the application of materials test data.

Reaction: A chemical change in which a substance decomposes, combines with other substances, or interchanges constituents with other substances.

Reactive fluids: Fluids that are capable of reacting with materials in such a way as to create a hazard. Incompatibility between fluids and materials can result in hazards such

APPROVED FOR PUBLIC RELEASE—DISTRIBUTION IS UNLIMITED

NASA-STD-6001B

as materials degradation and exothermic reactions that can lead to fire or explosion. Testing required by this document for reactive fluids other than oxygen is limited to propellants (hydrazine, monomethylhydrazine, unsymmetrical dimethylhydrazine, Aerozine 50, nitrogen tetroxide) and ammonia.

Single-barrier failure: A leak through a barrier within a component that permits the fluid to contact the materials directly behind the barrier. Single barriers include mechanical joints (for example, B-nuts; O-rings, gaskets, and bladders; and metallic and nonmetallic diaphragms). Structural parts (for example, pressure lines and tanks, welded or brazed joints, and redundant seals in series that have been pressure-tested individually before use) are not considered to be single barriers.

Spacecraft Maximum Allowable Concentration (SMAC): The maximum concentration of an offgassed product that is allowed in the habitable area of the spacecraft for a specified duration.

Technical Authority: The Technical Authority provides technical checks and balances by assuring that safety and mission success, relevant technical standards, engineering work, and safety and reliability analysis products are being conducted properly in accordance with established, high-reliability processes independent of nontechnical program/project constraints.

Voluntary Consensus Standard (VCS): Technical standard that is developed or adopted by voluntary consensus standard bodies, both domestic and foreign.

Worst-case anticipated use environment: Most hazardous pressure, temperature, material thickness, and/or fluid exposure conditions. These conditions can occur during flight or during other operational periods, (for example, ground testing, checkout, preflight).

4. EVALUATION AND TESTING OF MATERIALS

4.1 Material Evaluation Requirements

- a. Materials located in habitable areas of spacecraft, including the materials of the spacecraft, stowed equipment, and experiments, shall be evaluated for flammability and offgassing.
- b. All materials located in other areas shall be evaluated for flammability.
- c. Materials that are exposed to LOX, GOX, and other reactive fluids shall be evaluated for compatibility with the fluid in their use application.

APPROVED FOR PUBLIC RELEASE—DISTRIBUTION IS UNLIMITED

NASA-STD-6001B

d. Materials exposed to pressurized breathing gases also shall be evaluated for offgassing.

e. Electrical insulation materials also shall be evaluated for arc tracking.

f. The worst-case anticipated use environment (most hazardous pressure, temperature, material thickness, and fluid exposure conditions) shall be used in the evaluation of material suitability.

Materials that have been shown to meet the acceptance criteria of the required tests are acceptable for further consideration in design.

Whenever possible, materials should be selected that have already been shown to meet the test criteria in the use environment.

Existing test data are compiled in the NASA Marshall Space Flight Center (MSFC) Materials and Processes Technical Information System (MAPTIS). MAPTIS can be accessed at <http://maptis.nasa.gov/>.

4.2 Materials Usage Agreement (MUA)

a. Systems containing materials that have not been tested or do not meet the criteria of the required tests shall be verified to be acceptable in the use configuration by analysis or configurational testing through the use of an MUA.

b. An MUA shall be prepared in accordance with the MUA system described in NASA-STD-6016, Standard Materials and Processes Requirements for Spacecraft, for flight hardware, or the latest version of NASA-STD-5005, Standard for the Design and Fabrication of Ground Support Equipment, for GSE.

c. The MUA shall document the acceptance rationale.

d. The MUA shall be submitted for approval as described in NASA-STD-6016 in accordance with the Program/Project Materials and Processes Selection, Control, and Implementation Plan.

5. APPLICABLE MATERIAL TESTS

The applicable material test depends on the environment to which the material is exposed. Applicable environments are habitable environments, LOX and GOX systems, breathing gases, and reactive fluids.

a. Required tests shall be conducted on materials in their worst-case exposure conditions and representative use thicknesses and product forms.

APPROVED FOR PUBLIC RELEASE—DISTRIBUTION IS UNLIMITED

NASA-STD-6001B

b. To be considered acceptable for use without restriction, the materials shall pass the required tests.

All nonmetals tested in accordance with NASA-STD-6001 should be retested every 10 years or as required by the responsible program/project.

Table 1, Required Tests for Each Material Use, lists the required tests for each material use. Descriptions of these test methods are provided in section 7 in this Standard.

Table 1—Required Tests for Each Material Use

ENVIRONMENT	TEST NUMBER	TITLE
Habitable Flight Compartments	1	Upward Flame Propagation
	4	Electrical Wire Insulation Flammability
	7	Determination of Offgassed Products ¹
	18	Arc Tracking
Other Areas ²	1	Upward Flame Propagation
	4	Electrical Wire Insulation Flammability
	18	Arc Tracking
LOX and GOX Environments ^{3,4}	1	Upward Flame Propagation ⁵
	17	Upward Flammability of Materials in GOX ⁶
Breathing Gases ⁴	1	Upward Flame Propagation
	7	Determination of Offgassed Products
Reactive Fluids	15	Reactivity of Materials in Hydrazine, Monomethylhydrazine, Unsymmetrical Dimethylhydrazine, Aerozine 50, Nitrogen Tetroxide, and Ammonia

¹ Not required for materials inside hermetically sealed containers.
² Includes all areas outside the habitable flight compartment.
³ Materials used in LOX or GOX environments shall be evaluated as described in section 6.3 in this Standard.
⁴ The need for an OCA, as described in section 6.3 in this Standard, shall be addressed for compressed air systems and pressurized systems containing enriched oxygen.
⁵ Required for nonmetals for pressures ≤ 345 kPa (≤ 50 psia).
⁶ Required for nonmetals for pressures > 345 kPa (> 50 psia) and for all metals used in GOX and LOX.

c. Materials that do not meet the criteria of the required tests and that are to remain candidates for use shall be verified to be acceptable in the use configuration by analysis or test and approved through the MUA process as described in section 4.2 in this Standard.

Supplemental tests may be conducted to support the system hazard evaluation for materials that do not meet the criteria of the required tests; data based on other appropriate and applicable test methods also may be used to support the evaluation. In addition, supplemental tests may be required as an aid to the OCA process or as a result of the findings of the OCA process.

APPROVED FOR PUBLIC RELEASE—DISTRIBUTION IS UNLIMITED

NASA-STD-6001B

Table 2, Supplemental Tests for Each Material Use, lists the supplemental tests for each material use.

Table 2—Supplemental Tests for Each Material Use

ENVIRONMENT	TEST (APPENDIX A SECTION)	TITLE
Habitable Flight Compartments	2 (Appendix A.2.1)	Heat and Visible Smoke Release Rates
	3 (Appendix A.2.2)	Flash Point of Liquids
	6 (Appendix A.2.3)	Odor Assessment
	10 (Appendix A.2.4)	Simulated Panel or Major Assembly Flammability
	(Appendix A.2.11)	Electrical Arc
Other Areas	2 (Appendix A.2.1)	Heat and Visible Smoke Release Rates
	3 (Appendix A.2.2)	Flash Point of Liquids
LOX and GOX Environments	13A (Appendix A.2.5)	Mechanical Impact For Materials in Ambient Pressure LOX
	13B (Appendix A.2.5)	Mechanical Impact for Materials in Variable Pressure LOX and GOX
	ASTM G74 (Appendix A.2.6)	Gaseous Fluid Impact for Components
	ASTM G72 (Appendix A.2.8)	Autogenous Ignition Temperature
	ASTM D240; ASTM D4809 (Appendix A.2.9)	Heat of Combustion
	ASTM G125 (Appendix A.2.10)	Oxygen Index
	(Appendix A.2.11)	Electrical Arc
	(Appendix A.2.12)	Frictional Heating
Breathing Gases	(Appendix A.2.13)	Particle Impact
Reactive Fluids	6 (Appendix A.2.3)	Odor Assessment
	(Appendix A.2.7)	Reactivity and Penetration of Materials due to Incidental Exposure to Hydrazine, Monomethylhydrazine, Unsymmetrical Dimethylhydrazine, Aerozine 50, Nitrogen Tetroxide, and Ammonia
	3 (Appendix A.2.2)	Flash Point of Liquids

d. The responsible NASA program/project M&P organization shall determine when batch/lot testing is required.

6. SYSTEM EVALUATIONS

a. System evaluations shall demonstrate the acceptability of configurations resulting from the use of flammable, incompatible, or offgassing materials.

b. System evaluations shall address single-barrier failures that can expose materials to reactive fluids.

APPROVED FOR PUBLIC RELEASE—DISTRIBUTION IS UNLIMITED

NASA-STD-6001B

6.1 System Flammability in Low-Pressure Air or Oxygen-Enriched Environments, Including Habitable Environments

6.1.1 A system flammability evaluation shall be conducted if materials that fail to meet the criteria of Test 1 are proposed for use in spacecraft, contractually-specified test facilities, or contractually-specified GSE.

This evaluation can be conducted by analysis or by testing. JSC 29353, Flammability Configuration Analysis for Spacecraft Applications, provides guidelines for hardware flammability assessment and mitigation.

6.1.2 If the analytical approach is used, the following fire control guidelines shall be addressed and the results documented and submitted to the responsible NASA program/project M&P organization for evaluation:

a. The amount and arrangement of flammable materials are controlled to prevent the spread of fire in the vehicle; any potential fire is isolated in defined areas, by firebreaks or other techniques (described in JSC 29353), without propagation paths to other areas.

b. The design ensures that ignition sources are eliminated or controlled.

c. The effects of an isolated fire on personnel in spacecraft crew-habitable modules are considered.

d. The rate and magnitude of pressure and temperature increase in any potential fire will not cause structural damage to or compromise the pressure integrity of the vehicle.

6.1.3 If the test approach is used, materials that do not meet the criteria of Test 1 shall be evaluated by a configuration test, such as Test 10, which evaluates the worst possible failure modes in the worst-case operating conditions.

6.1.4 If the results of the evaluation are inconclusive and a major assembly flammability test, such as a crew module test, is required, the hardware developer shall submit a test plan to the responsible NASA program/project M&P organization for approval before test.

6.2 Spacecraft Offgassing

System evaluation requirements for bulk materials/assembled articles are specified in section 7.7.3 in this Standard.

Total spacecraft offgassing evaluation is the responsibility of the NASA Johnson Space Center (JSC) Toxicology Office.

APPROVED FOR PUBLIC RELEASE—DISTRIBUTION IS UNLIMITED

NASA-STD-6001B

6.3 Material and Component Compatibility in LOX and GOX Environments

6.3.1 Materials, components, and systems used in LOX and GOX environments shall be evaluated using the approach shown in figure 1, Approach for Selecting Materials, Components, and Systems used in LOX and GOX Environments

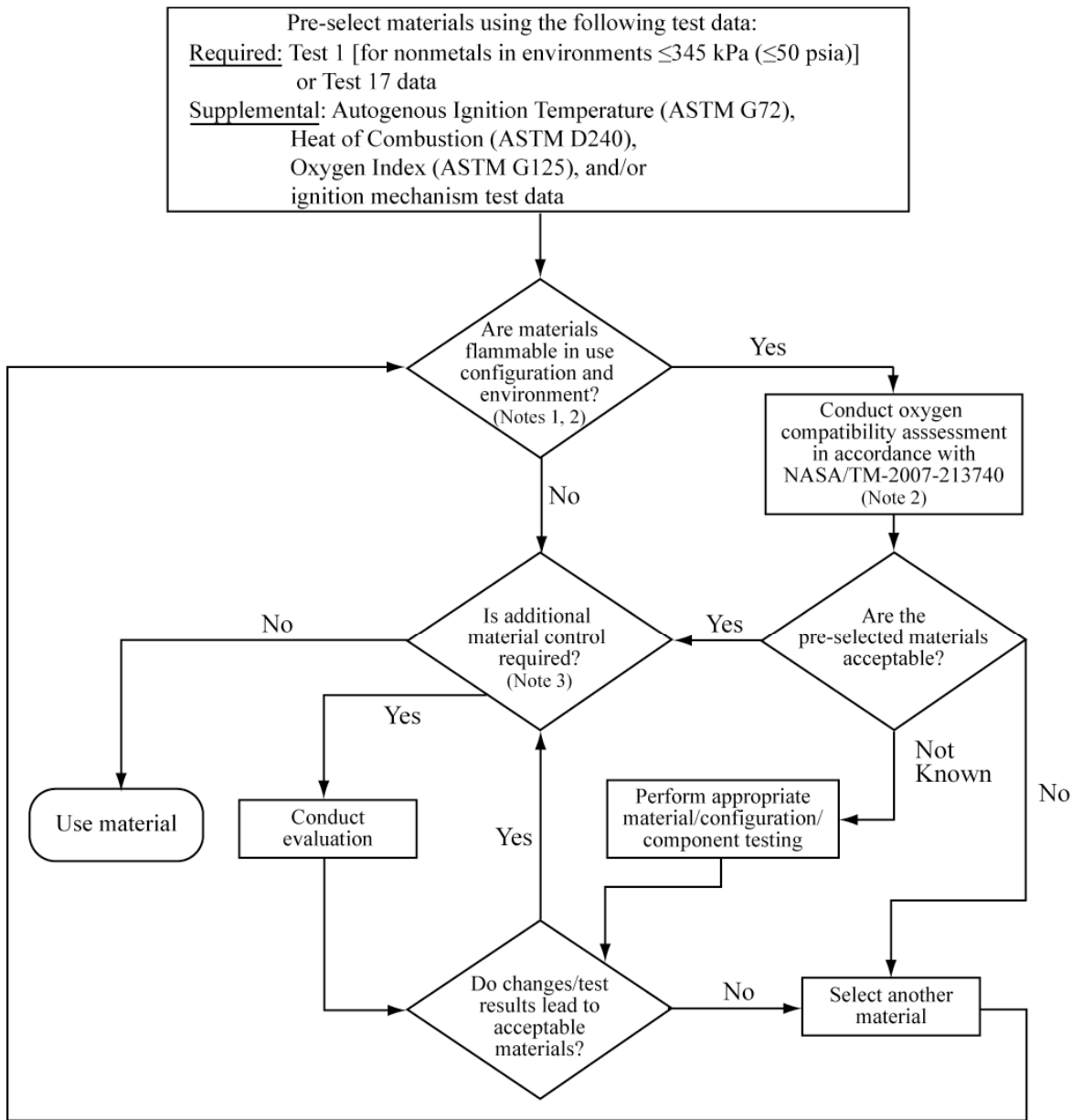
This approach begins with pre-selection of materials based on flammability and combustion test data, followed by a flammability assessment. If the materials are determined to be nonflammable in their use configuration and environment and no additional material control is required, the materials may be used.

6.3.2 If the materials are determined to be flammable, an OCA shall be performed in accordance with NASA/TM-2007-213740, Guide for Oxygen Compatibility Assessments on Oxygen Components and Systems.

The OCA is used to determine whether the material may be used or whether there is a need to perform supplemental material, configuration, or component testing.

APPROVED FOR PUBLIC RELEASE—DISTRIBUTION IS UNLIMITED

NASA-STD-6001B



Notes:

1. Data used to assess material flammability has to be applicable to the specific configuration of the parts; therefore, data other than standard test data may be required.
2. Consult the responsible M&P organization to ensure that the testing data used to make flammability and ignitability assessments are applicable to the specific design configuration.
3. Additional material control refers to requirements from sources other than NASA-STD-6001, such as corrosion requirements.

Figure 1—Approach for Selecting Materials, Components, and Systems used in LOX and GOX Environments

APPROVED FOR PUBLIC RELEASE—DISTRIBUTION IS UNLIMITED

NASA-STD-6001B

6.3.3 Compressed Air and Enriched Oxygen Systems

a. The need for an OCA shall be addressed for compressed air systems and pressurized systems containing enriched oxygen (greater than 21 percent oxygen by volume).

Such systems are inherently less hazardous than systems containing pure oxygen; the hazard increases with oxygen concentration and/or increasing pressure.

b. If it is determined that an OCA is not required, concurrence shall be obtained from the responsible program/project M&P organization.

6.3.4 *Further details for several steps in the material and component evaluation process are:*

a. **Pre-Selection of Materials.** As a minimum, previously untested polymeric materials that fail Test 1 or Test 17 shall be subjected to autogenous ignition temperature (Appendix A.2.8) and heat of combustion testing (Appendix A.2.9).

The objective of the pre-selection process is to choose materials that exhibit desirable flammability and combustion characteristics. For instance, materials that do not burn in the specific environment and configuration are preferred for oxygen service. In addition, nonmetals that have high autogenous ignition temperatures, low heats of combustion, and high oxygen indices are preferred for oxygen service. Other data that may be useful in the pre-selection of materials for LOX and GOX environments include data for specific ignition mechanisms, such as particle impact, gaseous fluid impact, and mechanical impact.

b. **Flammability Assessment.** Data used to assess material flammability shall be applicable to the specific environment and part/component configuration.

- (1) If the flammability or configuration of the materials is unknown, the materials shall be considered flammable.
- (2) The responsible NASA program/project M&P organization shall approve that the data used to make flammability assessments are applicable to the specific design configuration.

In general, as pressure increases, materials such as metals, polymers, lubricants, and contaminants become flammable in 100 percent oxygen. In addition, almost all polymers are flammable in 100 percent oxygen at atmospheric pressure. Furthermore, the flammability of a material is dependent upon its configuration. For example, metals, including those that normally exhibit high resistance to ignition, are more flammable in oxygen when they have thin cross-sections (for example, thin-walled

APPROVED FOR PUBLIC RELEASE—DISTRIBUTION IS UNLIMITED

NASA-STD-6001B

tubing) or when they are finely divided (for example, wire mesh and sintered filters). When assessing flammability, it is important to reference a cross-sectional view of each component that shows the configuration of the materials of construction.

c. OCA

- (1) The results of the OCA shall be documented and submitted to the responsible NASA program/project M&P organization for concurrence.
- (2) An MUA, if applicable, shall be used to submit the OCA results.
- (3) The hardware developer shall verify that the materials assessed in the OCA reflect the as-built design.

The OCA process described in NASA/TM-2007-213740 is a systematic approach that focuses on fire hazards. This process emphasizes the evaluation of ignition mechanisms and the application of materials test data.

Supplemental tests may be performed as an aid to the OCA process or as a result of findings of the OCA process. These tests may be material, configuration, or component tests. Guidance on supplemental tests can be obtained from the responsible NASA program/project M&P organization.

6.4 Materials Compatibility in Systems Containing Reactive Fluids

Test 15 is intended to be a short-term exposure test.

6.4.1 A system evaluation shall be conducted for all systems containing reactive fluids.

6.4.2 Materials used in system construction shall be evaluated for compatibility with the fluid to which they are to be exposed, as well as compatibility with the fluid decomposition products.

The effects of single-barrier failures should be considered as part of this system evaluation.

6.4.3 Evaluations shall be supported by analysis, by Test 15 data, and when necessary, by configuration-specific testing.

6.4.4 The analytical approach shall examine possible sources of uncontrolled exothermic reactions, develop control methods, and document the results.

APPROVED FOR PUBLIC RELEASE—DISTRIBUTION IS UNLIMITED

NASA-STD-6001B

Possible initiation sources for uncontrolled exothermic reactions include mechanical impact, rapid pressurization, sources of electrical energy, and other sources of heat.

6.4.5 The rationale for use of materials that fail to meet the criteria of Test 15 shall be documented and submitted to the responsible NASA program/project M&P organization for approval.

Guidance on configuration tests to evaluate uncontrolled reactions in reactive fluid systems can be obtained from the responsible NASA program/project M&P organization.

7. TEST METHODS

Methods for required flammability, offgassing, and compatibility tests are presented in this section.

- a. Tests shall be performed by test facilities certified in accordance with Appendix B in this Standard.
 - (1) The test facility shall demonstrate good laboratory practices to produce accurate and repeatable test data.
 - (2) Good laboratory practices shall include calibration and maintenance procedures.
 - (3) At least every 2 years, test facilities shall demonstrate testing proficiency to maintain certification in accordance with Appendix B in this Standard.
- b. Properly identified material for testing shall be provided by the responsible NASA Center or hardware developer and accompanied by a test request form similar to that provided in Appendix D in this Standard.

Alternatively, test facilities can be authorized by the test requester to procure the appropriate materials.

- c. Material and Specimen Receipt and Preparation.
 - (1) Materials shall be accompanied by Material Safety Data Sheets (MSDSs) to comply with materials-handling requirements defined by the Occupational Safety and Health Administration (OSHA).
 - (2) Material specimens shall be inspected visually and any flaws or contamination noted in the test report.

APPROVED FOR PUBLIC RELEASE—DISTRIBUTION IS UNLIMITED

NASA-STD-6001B

Materials and configured system characteristics can be significantly compromised by sources of contamination (such as exposure to solvents, cleaning agents, environmental pollutants, particulates, and handling), abnormal temperatures, and/or variations in humidity. It is important that exposure of the material to degrading environments be controlled sufficiently to minimize variation in test results.

- (3) Specimens shall be prepared in the proper dimensions.
- (4) Specimens shall be weighed and identified individually.
- (5) Specimens shall be cleaned to end-use specifications.
- (6) Specimens shall be inspected after preparation to ensure suitability for the specific test requested.
- (7) As a minimum, all fluids used for testing shall meet or exceed user specifications.

d. When there is a deviation from standard test parameters, such as nonstandard specimen preparation or test conditions, the test shall be identified as nonstandard and the results annotated as nonstandard.

Table 3, Minimum Quantities of Materials Required for Testing for Each Atmosphere or Fluid, lists the minimum quantities of material required to perform each test properly.

APPROVED FOR PUBLIC RELEASE—DISTRIBUTION IS UNLIMITED

NASA-STD-6001B

Table 3—Minimum Quantities of Materials Required for Testing for Each Atmosphere or Fluid

MATERIAL TEST FORM ¹	TEST	MINIMUM QUANTITIES
Solids (sheet, rod, etc.)	1	6 specimens, 30 by 6.4 cm (12 by 2.5 in) by required thickness [thin films, 30 by 7.5 cm (12 by 3.0 in) by required thickness ²]
	2	18 specimens, 10 by 10 cm (4 by 4 in) by required thickness
	6	1500 cm ² (232.5 in ²) total area or 15 g (0.5 oz)
	7	4000 cm ² (620 in ²) total area or 40 g (1.4 oz)
	13	1000 cm ² (155 in ²) total area, 0.64 cm (0.25 in) maximum thickness or individual specimen diameter of 1.75 cm (0.69 in)
	15	50 cm ² (7.75 in ²) total area or 20 g (0.7 oz) by required thickness
	17	15 specimens, 10.2-cm (4-in) (minimum) by 0.32-cm (0.125-in) diameter rods
Coatings (paints, inks, adhesives, etc.)	1	Sufficient to cover [paints, 6 specimens, 30 by 6.4 cm (12 by 2.5 in) by required thickness]
	2	18 specimens, 10 by 10 cm (4 by 4 in) by required thickness
	6	1500 cm ² (232.5 in ²) total area or 500 ml (16.9 oz)
	7	4000 cm ² (620 in ²) total area or 500 ml (16.9 oz)
	13	500 ml (16.9 oz)
	15	500 ml (16.9 oz)
Foams	1	6 specimens, 30 by 6.4 cm (12 by 2.5 in) by required thickness
	2	18 specimens, 10 by 10 cm (4 by 4 in) by required thickness
	6	1500 cm ² (232.5 in ²) total area
	7	4000 cm ² (620 in ²) total area
	13	1000 cm ² (155 in ²) total area [0.64 cm (0.25 in) maximum thickness]
	15	50 cm ² (7.75 in) total area or 20 g (0.7 oz)
Insulated Wires	1	2 m (6.6 ft) in length
	4	10 m (33 ft) in length
	6	15 g (0.5 oz)
	7	40 g (1.4 oz)
	13	250 cm (98 in) in length
	15	1 m (3.3 ft) in length
	18	70 m (230 ft) in length

APPROVED FOR PUBLIC RELEASE—DISTRIBUTION IS UNLIMITED

NASA-STD-6001B

Table 3 (continued)

MATERIAL TEST FORM¹	TEST	MINIMUM QUANTITIES
Special Requirement	3	As recommended by selected ASTM test method
	Gaseous Fluid Impact	As recommended by the OCA or by the test requester
	Autogenous Ignition Temperature	10 g (0.35 oz)
	Heat of Combustion	10 g (0.35 oz)
	Oxygen Index	As recommended by ASTM G125; when using ASTM D2863, 25 specimens, 15.2 cm by 6.4 cm (6 by 2.5 in) or equivalent amount of material
	Frictional Heating	As recommended by the OCA or by the test requester
	Particle Impact	As recommended by the OCA or by the test requester
<p>Notes:</p> <p>¹Actual test configurations and material quantities for material forms other than those listed, e.g., O-rings and seals, shall be established and approved by the responsible NASA program/project M&P organization.</p> <p>²When influence of test frame on results is of concern, optional thin films of 30 by 20 cm (12 by 8 in) by required thickness may be used, subject to the approval of the responsible NASA program/project M&P organization.</p>		

7.1 Upward Flame Propagation (Test 1)

VCS adopted and tailored.

7.1.1 Purpose

The purpose of this test is to determine if a material, when exposed to a standard ignition source, will self-extinguish and not transfer burning debris, which can ignite adjacent materials.

7.1.2 Test Summary

- a. Test 1 shall evaluate the candidate material in the worst-case atmosphere to which the material could be exposed.
- b. Five test specimens, each with dimensions of 30 cm by 6.5 cm (12 in by 2.5 in) and tested one at a time, shall be mounted vertically in a test stand.
- c. The specimens shall be ignited at the bottom by an ignition system and allowed to burn until each self-extinguishes (figure 2, Flammability Post-Test Specimen).

APPROVED FOR PUBLIC RELEASE—DISTRIBUTION IS UNLIMITED

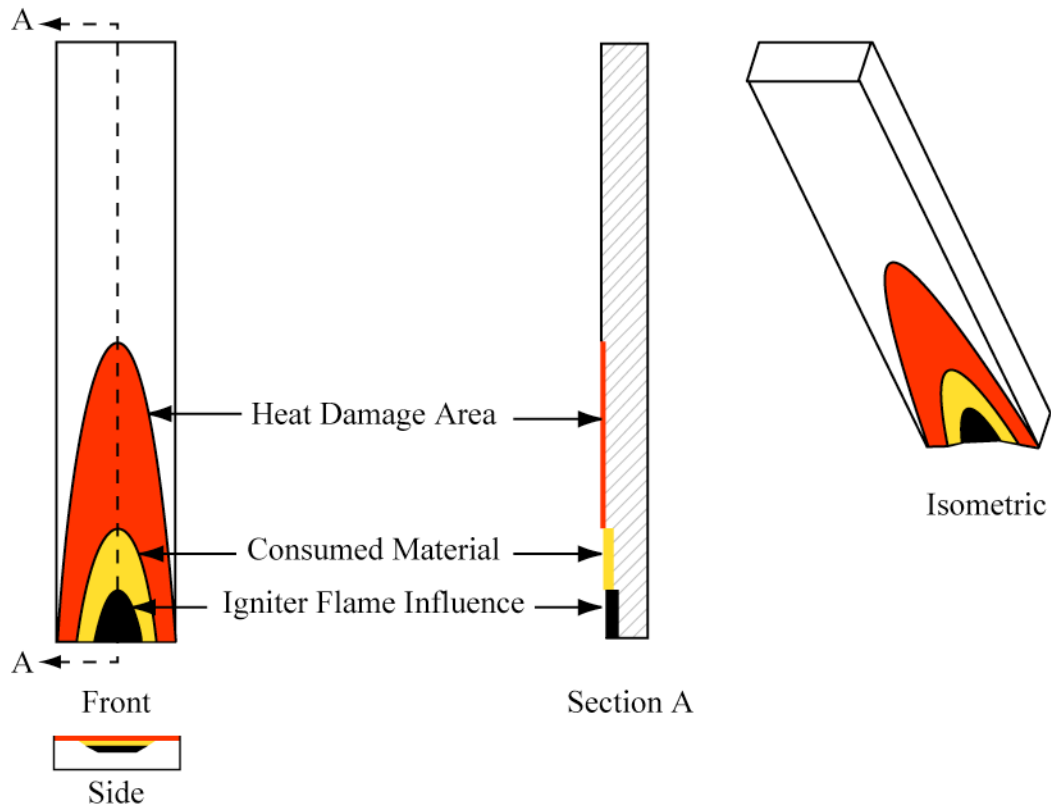


Figure 2—Flammability Post-Test Specimen

d. The burn length, i.e., the linear distance of consumed specimen, shall be measured and recorded in the test report.

e. Whether or not ignition of the paper occurred by a transfer of burning debris shall be recorded on the test report.

7.1.3 Test Criteria

a. The material shall meet the test acceptance criteria and be considered self-extinguishing if both of the following conditions are met:

- (1) No test specimen of the five standard-sized specimens burns >15 cm (6 in).
- (2) No test specimen propagates a flame by the transfer of burning debris.

NASA-STD-6001B

7.1.4 Test Method

The test method defined in ISO 14624-1:2003, Space systems — Safety and compatibility of materials — Part 1: Determination of upward flammability of materials, shall be followed for this test, with the following exceptions, clarifications, and additions:

The relevant ISO 14624-1:2003 section is included in parentheses.

a. Exception (throughout): One test shall consist of five replicate, identical specimen ignitions.

The term “specimen” is used to indicate one standard-sized section of a material used for testing. The Upward Flame Propagation Test requires five specimens to produce one standard test.

b. Clarification (section 3.1): Burn length: the distance from the bottom of the specimen to the farthest evidence of damage to the test specimen caused by flame consumption as determined by visual observation, post-test examination, video of burn, and/or other means.

c. Addition (section 3.8): Maximum Oxygen Concentration: The maximum oxygen concentration at which at least five specimens pass the acceptance criteria of this test.

d. Exception, addition (section 4):

(1) In addition, the ignited specimens shall not ignite the paper (produce flaming combustion) below the test specimens, which would indicate that the transfer of burning debris would have sufficient energy to ignite adjacent materials.

(2) If, during a test, the paper ignites because of burning debris, subsequent burns during the same material test shall be conducted without the paper.

This is done because the burning paper can inhibit the burning of the test specimen. Individual specimen test results performed without the paper should be identified in the test report.

Failure of any one specimen constitutes failure of the material in that test environment.

e. Addition (section 4): Materials shall be tested in the worst-case configuration.

APPROVED FOR PUBLIC RELEASE—DISTRIBUTION IS UNLIMITED

NASA-STD-6001B

f. Additions (section 5.1):

- (1) The test atmosphere shall consist of a mixture of GOX and GN₂, with the oxygen level being the highest that the material could witness in use conditions.

If the worst-case environment is uncertain, determination of the maximum oxygen concentration is recommended.

- (2) The test gases shall be mixed thoroughly before testing a specimen.

The gases may be premixed before introduction into the test chamber or mixed inside the test chamber.

g. Additions (section 5.1):

- (1) When gases are mixed in the chamber, they shall be circulated with a fan until a homogeneous mixture is attained, as determined by a gas analyzer.
- (2) The test gases shall be verified for conformity with the specification (including accuracy) for oxygen concentration to within +1.0 percent -0 percent of reading.

h. Addition (section 6.1): *Testing may be conducted in a fume hood in air if the above conditions can be met and the test results are verified against test chamber testing results.*

i. Addition (section 6.1): Air shall not be allowed to flow during tests.

j. Clarification (section 6.3): *The term “ambient conditions” refers to an oxygen concentration of 20.9 percent, a pressure of 101.4 kPa (14.7 psia), and a temperature of 23 (±5) °C (73 (±9) °F).*

k. Exception (section 6.4): Bare nickel-chromium wire 0.8 to 1.0 mm in diameter, with a nominal resistivity of 2 to 2.5 Ω·m and of sufficient length to wrap three equally spaced turns around the chemical igniter.

l. Exception (section 6.8): The paper surface density shall be between 150 g/m² and 250 g/m².

m. Exception (section 7.1, table 1): The minimum quantity of materials required for testing shall be as indicated in table 3 of this document.

n. Exception (section 8.1b): All specimens shall be video recorded during testing.

APPROVED FOR PUBLIC RELEASE—DISTRIBUTION IS UNLIMITED

NASA-STD-6001B

o. Exception (section 8.2.1): Except when testing in air, the test specimen shall be subjected to vacuum for no less than 1 min but for no more than 3 min.

p. Exception (section 8.2.1): The igniter shall be retracted from the test specimen once the igniter extinguishes.

q. Additions (section 8.2.2):

(1) Any flames emanating from the paper below the specimen shall be observed and recorded.

(2) The paper shall be supported by a non-flammable, non-conducting screen.

(3) Flame jets and sparks emanating from the specimen during combustion shall be observed and recorded.

r. Addition: The test report shall be submitted to MAPTIS in a MAPTIS-compatible format.

7.2 Heat and Visible Smoke Release Rates (Test 2)

Test 2 is now a supplemental test. A description of the test method is provided in Appendix A.2.1 in this Standard.

7.3 Flash Point of Liquids (Test 3)

Test 3 is now a supplemental test. A description of the test method is provided in Appendix A.2.2 in this Standard.

7.4 Electrical Wire Insulation Flammability (Test 4)

VCS adopted and tailored.

7.4.1 Purpose

The purpose of this test is to determine whether an electrical wire insulation material, when exposed to a standard ignition source, will self-extinguish and not transfer burning debris, which can ignite adjacent materials.

APPROVED FOR PUBLIC RELEASE—DISTRIBUTION IS UNLIMITED

NASA-STD-6001B

7.4.2 Test Summary

- a. The test shall evaluate the candidate wire insulation material in the worst-case atmosphere to which the wire exposure is anticipated.
- b. Five test specimens, each a wire equivalent to the candidate wire and having a length of 1.2 m (48 in), with the active area being 30 cm (12 in), shall be tested one at a time and mounted at a 15-degree angle from vertical in a test stand.
- c. The specimens shall be ignited at the bottom by an ignition system and allowed to burn until each self-extinguishes.
- d. The burn length, i.e., the linear distance of the consumed specimen, shall be measured and recorded.
- e. Whether ignition of the paper occurred by a transfer of burning debris shall be recorded on the test report.

7.4.3 Test Criteria

- a. The material shall meet the test acceptance criteria and be considered self-extinguishing, if both of the following conditions are met:
 - (1) No test specimen of the five tested burns >15 cm (6 in).
 - (2) No test specimen propagates a flame by the transfer of burning debris.

The term "specimen" is used to indicate one standard-sized strand of a wire used for testing. Five specimens produce a standard Electrical Wire Insulation Flammability Test.

7.4.4 Test Method

The test method described in ISO 14624-2:2003, Space systems — Safety and compatibility of materials — Part 2: Determination of flammability of electrical-wire insulation and accessory materials, shall be followed for this test, with the following exceptions, clarifications, and additions:

The relevant ISO 14624-2:2003 sections are included in parentheses.

- a. Exception (throughout): One test shall consist of five replicate, identical specimen ignitions.
- b. Exception (throughout): The minimum quantity of material required for testing is listed in table 3 of this document.

APPROVED FOR PUBLIC RELEASE—DISTRIBUTION IS UNLIMITED

NASA-STD-6001B

c. Clarification (section 4.1): Burn length: the distance from the bottom of the specimen as it sits in the test stand to the farthest evidence of damage to the specimen's test insulation material caused by flame consumption as determined by visual observation, post-test examination, video of burn, and/or other means.

d. Addition (section 4.3): Transfer of burning debris: movement of burning particles from a burning specimen to adjacent materials with sufficient energy to ignite the paper below the test specimen.

e. Addition (section 4): Maximum Oxygen Concentration: The maximum oxygen concentration at which at least five specimens pass the acceptance criteria of this test.

f. Exception (section 6.1): A standard test shall consist of five wire specimens tested.

g. Addition (section 6.1): In addition, the ignited wire test specimens shall not ignite the paper (produce flaming combustion) below the test specimens, which would indicate that the transfer of burning debris would have sufficient energy to ignite adjacent materials.

h. Addition (section 6.1): If, during a test, the paper ignites because of burning debris, subsequent burns during testing of the same wire specimens shall be conducted without the paper.

This is done because the burning paper can inhibit the burning of the wire test specimen.

i. Additions (section 6.1):

(1) Failure of any one specimen shall constitute failure of the wire in that test environment.

(2) Wires shall be tested in the worst-case configuration.

j. Additions (section 6.2.1):

(1) The test atmosphere shall consist of a mixture of GOX and GN₂, with the oxygen level being the highest that the material could witness in use conditions.

If the worst-case environment is uncertain, determination of the maximum oxygen concentration is recommended.

(2) The test gases shall be mixed thoroughly before testing a specimen.

APPROVED FOR PUBLIC RELEASE—DISTRIBUTION IS UNLIMITED

NASA-STD-6001B

The gases may be premixed before introduction into the test chamber or may be mixed inside the chamber.

k. Additions (section 6.2.1):

- (1) When gases are mixed in the chamber, they shall be circulated with a fan until a homogeneous mixture is attained, as determined by a gas analyzer.
- (2) The test gases shall be verified for conformity with the specification (including accuracy) for oxygen concentration to within +1.0 percent -0 percent of reading.

l. Addition (section 6.3.1): *Testing may be conducted in a fume hood if the above conditions can be met and the test results are verified against test chamber testing results.*

m. Addition (section 6.3.1): Air shall not be allowed to flow during tests.

n. Addition (section 6.3.3): *The term “ambient conditions” refers to an oxygen concentration of 20.9 percent, a pressure of 101.4 kPa (14.7 psia), and a temperature of 23 (±5) °C (73 (±9) °F).*

o. Exception (section 6.3.5): Bare nickel-chromium wire 0.8 to 1.0 mm in diameter, with a nominal resistivity of 2 to 2.5 $\Omega \cdot m$ and of sufficient length to wrap three equally spaced turns around the chemical igniter.

p. Exception (section 6.3.8): The paper shall have the following characteristics:

- (1) Dimensions: (200 mm ±50 mm) × (300 mm ±50 mm).
- (2) Surface density: between 150 g/m² and 250 g/m².
- (3) Type: chemical wood processed.
- (4) Color: uniformly white.
- (5) Condition: clean, free from dirt spots, oil spots, and foreign matter (lint, fuzz, etc.); free from holes, tears, cuts, folds, and scuff marks; and containing no splices.

q. Exception (section 6.5.1.4): All specimens shall be video recorded during testing.

r. Addition (section 6.5.2.1): The test specimen shall be subjected to vacuum for no less than 1 min but for no more than 3 min.

APPROVED FOR PUBLIC RELEASE—DISTRIBUTION IS UNLIMITED

NASA-STD-6001B

- s. Exception (section 6.5.2.1): The igniter shall be retracted from the test specimen once the igniter extinguishes.
- t. Additions (section 6.5.2.2):
 - (1) Flames emanating from the paper below the wire specimen shall be observed and recorded.
 - (2) The paper shall be supported by a non-flammable, non-conducting screen.
 - (3) Flame jets and sparks emanating from the specimen during combustion shall be observed and recorded.
- u. Exception (section 7): Alternate Wire Insulation Flammability Test in a Gas Flow Environment, Test B, shall not be performed as Test 4.
- v. Addition: The test report shall be submitted to MAPTIS in a MAPTIS-compatible format.

7.5 Electrical Connector Potting and Conformal Coating Flammability (Test 5)

Deleted in previous version.

7.6 Odor Assessment (Test 6)

Test 6 is now a supplemental test. A description of the test method is provided in Appendix A.3 in this Standard.

7.7 Determination of Offgassed Products (Test 7)

VCS adopted and tailored.

7.7.1 Purpose

The purpose of this test is to determine the identity and quantity of volatile offgassed products from materials and assembled articles.

7.7.2 Test Summary

- a. Test 7 shall determine the offgassing characteristics under standardized conditions for materials and assembled articles to be located within habitable environments.
- b. Specimens shall be placed into certified-clean sealed containers and thermally conditioned for 72 (± 1) hr at 50 (± 3) °C (122 (± 5) °F).

APPROVED FOR PUBLIC RELEASE—DISTRIBUTION IS UNLIMITED

NASA-STD-6001B

- c. After the thermal conditioning, the atmosphere inside the specimen container shall be analyzed to determine the offgassed compounds.
- d. Using the SMAC for each offgassed compound, the overall toxicity rating shall be determined.
- e. The overall rating of each material or assembled article shall determine the quantity of each material or the number of assembled articles that can be flown concurrently.
- f. For a material or assembled article, the total Toxic Hazard Index (T) values for all volatile offgassed products shall be less than 0.5.

7.7.3 Test Criteria

- a. For a material or assembled article, the total T values for all volatile offgassed products shall be less than 0.5.
- b. All materials used in habitable flight compartments shall meet the offgassing requirements, using one of the following methodologies:
 - (1) Assembled article: Summation of T values (total concentration in mg/m^3 /SMAC in mg/m^3) of all offgassed constituent products shall not exceed 0.5.
 - (2) Hardware components evaluated on a materials basis.
 - A. Individual materials used to make up an assembled article shall be evaluated based on the actual or estimated mass of the material used in the hardware component.
 - B. The total T value for all materials used to make up the assembled article shall be less than 0.5.
 - (3) More than one assembled article: If a single assembled article is tested or evaluated for toxicity but more than one is to be flown, the T value obtained for one unit times the number of flight units shall be less than 0.5.
 - (4) Bulk materials and other materials not inside a sealed container: All materials shall be evaluated individually using the ratings in the MAPTIS database (<http://maptis.nasa.gov/>).

MAPTIS specifies the maximum quantity and associated rating for each material code.

APPROVED FOR PUBLIC RELEASE—DISTRIBUTION IS UNLIMITED

NASA-STD-6001B

7.7.4 Test Method

The test method described in the baseline ISO 14624-3:2005, Space systems — Safety and compatibility of materials — Part 3: Determination of offgassed products from materials and assembled articles, shall be followed for this test, with the following exceptions, clarifications, and additions:

The relevant ISO 14624-3:2005 sections are included in parentheses.

a. Addition (section 3.4 note): *A current listing of SMAC values is maintained in MAPTIS at <http://maptis.nasa.gov/>.*

b. Addition (section 3): Primary Gas Standard: gas mixtures that have gravimetric or analytical traceability and to which all measurements are ultimately compared.

c. Addition (section 3): Trace: the result reported when the identified offgassed compound is present in less than reportable quantities. This category includes compounds that are labeled as unidentified components, because the concentration is too low for the spectral information to allow for identification. It does not include compounds that have adequate spectral information but are labeled as unidentified components because suitable standard spectra for identification are not available.

d. Addition (section 3): Reportable quantities: This amount shall be determined by each analytical laboratory and based on analyzed concentrations of the specific compound.

Compounds that have been identified, but for which the specific compound is unavailable as a standard, may have reportable quantities based on analyzed concentrations of a representative compound.

e. Addition (section 3.5): T Value Calculations:

The calculation of the toxic hazard index uses the free volume (spacecraft volume) of the habitable area of the craft under consideration. For the Space Shuttle Orbiter, this volume is 65 m³ (2300 ft³); for the International Space Station (ISS), the total volume has increased as assembly has proceeded, but the volume used in T value calculation is set at 118 m³ (4170 ft³), which is the volume of the US Laboratory (Destiny) Module; and for the Multipurpose Crew Vehicle Orion vehicle, this volume is anticipated to be 15 m³ (530 ft³). For habitable volumes not defined herein, contact the responsible NASA program/project M&P organization.

SMAC is the maximum concentration of an offgassed product that is allowed in the habitable area of the spacecraft for a specified duration.

APPROVED FOR PUBLIC RELEASE—DISTRIBUTION IS UNLIMITED

NASA-STD-6001B

SMAC values for each offgassed constituent are reported in mg/m³. (Unless otherwise specified, all calculations use 7-day SMACs as identified by the NASA JSC Toxicology Office.)

(1) Calculations for 45.36 kg (100 lb) of material shall be:

Q = Amount for each offgassed constituent in micrograms

M = Mass of material tested (g)

TX1 = Reported amount for each offgassed constituent in micrograms of constituent per gram of material tested ($\mu\text{g/g}$)

TX2 = Amount for each offgassed constituent in milligrams per cubic meter (mg/m^3) for 45.36 kg (100 lb) of material

TC = T value for each offgassed constituent for 45.36 kg (100 lb) of material (dimensionless)

T100 = Summation of the TC values of all offgassed constituents detected for 45.36 kg (100 lb) of material (dimensionless)

MLW_{kg} = Maximum Limit Weight in kilograms of material

MLW_{lb} = Maximum Limit Weight in pounds of material

Calculation of TX1:

$$\text{TX1} \left(\frac{\mu\text{g}}{\text{g}} \right) = \frac{Q(\mu\text{g})}{M(\text{g})} \quad (\text{Eq. 1})$$

Calculation of TX2: Convert $\mu\text{g/g}$ to mg/m^3

$$\text{TX2} \left(\frac{\text{mg}}{\text{m}^3} \right) = \text{TX1} \left(\frac{\mu\text{g}}{\text{g}} \right) \times \left(\frac{45.36 \text{ kg}}{\text{Spacecraft volume (m}^3)} \right) \quad (\text{Eq. 2})$$

Simplification yields:

$$\text{TX2} \left(\frac{\text{mg}}{\text{m}^3} \right) = \text{TX1} \left(\frac{\mu\text{g}}{\text{g}} \right) \times \left(\frac{45.36 \left(\text{kg} = \left(\frac{\text{g} \times \text{mg}}{\mu\text{g}} \right) \right)}{\text{Spacecraft volume (m}^3)} \right) \quad (\text{Eq. 3})$$

$$\text{TX2} \left(\frac{\text{mg}}{\text{m}^3} \right) = \left(\frac{(\text{TX1} \times 45.36) (\text{mg})}{\text{Spacecraft volume (m}^3)} \right) \quad (\text{Eq. 4})$$

APPROVED FOR PUBLIC RELEASE—DISTRIBUTION IS UNLIMITED

NASA-STD-6001B

Calculation of TC:

$$TC = \frac{TX2\left(\frac{\text{mg}}{\text{m}^3}\right)}{\text{SMAC}\left(\frac{\text{mg}}{\text{m}^3}\right)} \quad (\text{Eq. 5})$$

Calculation of T100:

$$T100 = \sum_{n=1}^n TC_n, \text{ for } n \text{ TC values} \quad (\text{Eq. 6})$$

Calculation of the maximum limit weight (MLW):

$$MLW_{\text{kg}} = \frac{0.5}{T100} \times 45.36 \text{ kg} \quad (\text{Eq. 7})$$

$$MLW_{\text{lb}} = \frac{0.5}{T100} \times 100 \text{ lb} \quad (\text{Eq. 8})$$

(2) Calculation for assembled articles shall be:

All assembled articles should be tested in the intended flight configuration.

Q = Amount for each offgassed constituent in micrograms

TC = T value for each offgassed constituent (dimensionless)

T = Summation of the TC values of all offgassed constituents detected (dimensionless)

Calculation of the TC:

$$TC = \left(\frac{\left(Q(\mu\text{g}) \left(\frac{1(\text{mg})}{1000(\mu\text{g})} \right) \right)}{\text{Spacecraft volume}(\text{m}^3)} \right) \times \left(\frac{1}{\text{SMAC}\left(\frac{\text{mg}}{\text{m}^3}\right)} \right) \quad (\text{Eq. 9})$$

Calculation of the T:

$$T = \sum_{n=1}^n TC_n, \text{ for } n \text{ TC values} \quad (\text{Eq. 10})$$

APPROVED FOR PUBLIC RELEASE—DISTRIBUTION IS UNLIMITED

NASA-STD-6001B

Calculation of the maximum number of assembled articles (round down):

$$\text{Total Number of Assembled Articles} = \frac{0.5}{T} \quad (\text{Eq. 11})$$

f. Exception (section 3.11): *Room temperature is equal to 23 (±5) °C (73 (±9) °F).*

g. Clarification (section 6.1): *The test atmosphere should be at least a volume fraction of 20.9 (±2) percent for GOX with the balance GN₂ or argon, and the test pressure should be ±15 kPa (±2.18 psi) of the test facility ambient pressure.*

h. Addition (section 6.1 note): *Batteries or assembled articles containing batteries should be tested in an inert atmosphere to reduce the risk of generating an explosive gas mixture. The batteries or assembled articles containing batteries tested in an inert atmosphere do not need to be tested again in an oxygen atmosphere for toxic offgassing.*

i. Clarification, addition (section 7.3): *Analytical instrumentation is not specified; however, it should be capable of the identification and quantification of all offgassed products at, or below, their SMAC concentrations when tested at a test-material-mass-to-specimen-container-volume ratio of 5.0 (±0.25) g/l.*

- (1) If the instrumentation cannot achieve this sensitivity, the minimum reportable concentration (reporting limit) for those offgassed products (except for formaldehyde) shall be reported.
- (2) For formaldehyde, the analytical technique shall be capable of detecting a concentration of 0.1 ppm or current SMAC.

The recommended analytical instruments include a gas chromatograph, primarily using a flame ionization detector, a gas chromatograph/mass spectrometer, and an infrared spectrophotometer. Some analytical compounds may be more difficult to determine; therefore, special methods may be required to identify and quantify these compounds. For example, the determination of formaldehyde may be performed using the proposed method of trapping on 2,4-dinitrophenylhydrazine cartridges for derivation and subsequent analysis by High Performance Liquid Chromatography.

In some cases, the reporting limit for a compound is greater than the SMAC, but the ability to meet the SMAC requirement is known to be crucial. To determine if the compound offgasses at the SMAC, it is necessary to test more than the standard test-material-mass-to-specimen-container-volume ratio of 5.0 (±0.25) g/l. The quantity of test material should be increased proportionally from the standard test-material-mass-to-

APPROVED FOR PUBLIC RELEASE—DISTRIBUTION IS UNLIMITED

NASA-STD-6001B

specimen-container-volume ratio to a quantity that will allow the analysis to meet the SMAC requirement.

Example:

Benzene SMAC = 100 ppb

Reporting limit = 500 ppb

Standard material weight per chamber volume = 5 g/l

$$\frac{5 \text{ g/l}}{100 \text{ ppb}} = \frac{X \text{ g/l}}{500 \text{ ppb}}$$

X = Necessary material weight per chamber volume = 25 g/l

j. Addition (section 8.2.1): *Materials should meet a test-material-mass-to-specimen-container-volume ratio of 5.0 (± 0.25) g/l. If the specimen weight cannot be met, the maximum practical quantity of specimen, at least 750 (± 50) cm²/l of test chamber volume is tested, with the actual specimen weight and surface area reported.*

k. Additions (section 8.2):

- (1) Unless the requester specifies a post-cure duration beyond the cure duration specified in the manufacturer's procedure, the material shall be aged by performing a post-cure under open-air, ambient conditions for a minimum of 14 days.
- (2) The duration of the post-cure shall be reported.

l. Additions (section 8.2.3):

- (1) Liquids and semi-solids shall be placed in non-reactive vessels.
- (2) The approximate total specimen surface area shall be reported.

m. Addition (section 8.3): Pre- and post-test photographic images shall be acquired when needed or requested by the test requester or test lead.

n. Additions (section 9.4):

- (1) The methods of quantitative analysis shall be traceable to primary gas standards.
- (2) When available, standards used to quantify specific compounds shall be traceable to the national, international, or intrinsic standard.

APPROVED FOR PUBLIC RELEASE—DISTRIBUTION IS UNLIMITED

NASA-STD-6001B

- o. Exception (section 10.2): The specimen container shall be cooled to 23 (± 5) °C (73 (± 9) °F).
- p. Addition (section 10.2): If strong odors are detected during the Test 7 procedures, the test lead shall note this and recommend that Test 6 (Odor Assessment) be performed.
- q. Addition: The test report shall be submitted to MAPTIS in a MAPTIS-compatible format.
- r. Exception (section 13.1): Ethyl alcohol, methyl alcohol, tetrachloroethylene, tetrachloromethane, and acrylonitrile shall be measured to within 30 percent of the specified concentrations.
- s. Exception, addition (table 1): *The analysis of furfural in Mix B (as defined in ISO 14624-3:2005) is not required; however, this compound is useful as a diagnostic tool because it presents a meaningful challenge to the analytical system.*
- t. Exception (Annex A.1): Laboratories should be accredited to perform the determination of offgassed products from materials and assembled articles test method contained in ISO 14624-3:2005.
- u. Exception (Annex B): *Annex B is not applicable to Test 7.*
- v. Clarification (Annex C.3): Ratings shall be based on the MLW:

Materials:

- K = MLW of 45 kg (100 lb) or greater
- H = MLW of 22.5 to 45 kg (50 to 100 lb)
- A = MLW of 4.5 to 22.5 kg (10 to 50 lb)
- V = MLW of 2.3 to 4.5 kg (5 to 10 lb)
- X = MLW of 0 to 2.3 kg (0 to 5 lb)

Assemblies:

- A = Summation of T ≤ 0.5
- X = Summation of T > 0.5

7.8 Flammability Test for Materials in Vented or Sealed Containers (Test 8)

Deleted.

7.9 Electrical Overload for Sealed Containers (Test 9)

Deleted in previous version.

APPROVED FOR PUBLIC RELEASE—DISTRIBUTION IS UNLIMITED

NASA-STD-6001B

7.10 Configurational Flammability (Test 10)

Test 10, formerly titled Simulated Panel or Major Assembly Flammability Test, is now a supplemental test. A description of the test method is provided in Appendix A.2.4 in this Standard.

7.11 Guidelines for Simulated Crew Bay Configuration Flammability Verification Test (Test 11)

Deleted in previous version.

7.12 Total Spacecraft Offgassing (Test 12)

Deleted.

7.13 Mechanical Impact for Materials in Ambient Pressure LOX (Test 13A) and Mechanical Impact for Materials in Variable Pressure LOX and GOX (Test 13B)

Tests 13A and 13B are now supplemental tests. Descriptions of the test methods are provided in Appendix A.2.5.

7.14 Pressurized Gaseous Oxygen Pneumatic Impact for Nonmetals (Test 14)

Deleted. A similar test method for components is described in Appendix A.2.6 in this Standard.

7.15 Reactivity of Materials in Hydrazine, Monomethylhydrazine, Unsymmetrical Dimethylhydrazine, Aerozine 50, Nitrogen Tetroxide, and Ammonia (Test 15)

7.15.1 Purpose

Test 15 is a short-term exposure test that identifies changes resulting from exposure to fluids that degrade either the material or the fluid or produce a reaction, which would cause the pressure in a closed system to rise. As described herein, Test 15 is applicable to the hydrazine family of fuels, nitrogen tetroxide and mixed oxides of nitrogen, and ammonia. Requirements for compatibility of materials with other aerospace fluids are contained in other documents, such as NASA-STD-6016.

This test is comprised of a screening test lasting 2 hr, followed by an immersion test lasting 48 hr.

Appropriate long-term tests shall be conducted for materials with long-term exposure to fuels, oxidizers, and other hazardous fluids.

APPROVED FOR PUBLIC RELEASE—DISTRIBUTION IS UNLIMITED

NASA-STD-6001B

The responsible NASA program/project M&P organization should be consulted for guidance related to long-term exposure. Information on reactivity of materials with fluids may also be obtained using other tests such as accelerated rate calorimetry, isothermal microcalorimetry, and differential scanning calorimetry (DSC).

The test method described in Appendix A.2.7 is a supplemental test procedure for determining the effects of incidental exposure (minor amounts, such as a splash) of fluids on materials. Incidental exposure time is considered to be ≤ 240 min.

7.15.2 Test Criteria

This test is used to determine and document the reactivity of a material and fluid in comparison to a reference material; therefore, test criteria are dependent on the intended use environment and material configuration.

Section 7.15.12 addresses failure criteria.

7.15.3 Definitions

Definitions of relevant terms used in the description of this test method are:

Degradation: An adverse physical or chemical change in a substance.

Screening (beaker) test: A test performed with a small amount of material (≤ 0.25 g) and fluid added in drops to screen for gross reactivity.

Immersion test: A test in which the fluid covers the entire specimen for the duration of the test in a sealed container with pressure measurement.

Reaction: A chemical change in which a substance decomposes, combines with other substances, or interchanges constituents with other substances.

7.15.4 Test Conditions

a. Screening Test.

- (1) The standard test conditions for the screening test shall be the test facility ambient temperature and pressure.
- (2) If a material is used above the test temperature, additional testing at the maximum use temperature shall be performed.

The test duration is 2 hr, but in the case of gross reactivity, the test may be terminated early at the discretion of the test lead and the time until test termination be recorded.

APPROVED FOR PUBLIC RELEASE—DISTRIBUTION IS UNLIMITED

NASA-STD-6001B

b. Immersion Test.

- (1) For hydrazine, monomethylhydrazine (MMH), unsymmetrical dimethylhydrazine (UDMH), aeroxine 50, and nitrogen tetroxide and the mixed oxides of nitrogen, the standard test conditions for the immersion test shall be 71 (± 3) °C (160 (± 5) °F) and the vapor pressure of the fluid at that temperature.

The elevated temperature of the immersion test is used to allow comparison of results with historical data. Elevated temperatures accelerate a reaction, make it measurable in a short time, and/or show the effects of elevated temperature on the pressure and post-test material and fluid analysis.

- (2) For ammonia, the standard test conditions for the immersion test shall be 30 (± 3) °C [86 (± 5) °F], and the vapor pressure at that temperature.

The test duration is 48 hr from the onset of heating, but the test may be terminated early in the case of gross reactivity or of a pressure rise that may cause the immersion tube to relieve and the time until test termination be recorded.

7.15.5 Test Fluids

Unless otherwise specified,

- a. Hydrazine shall meet the requirements of MIL-PRF-26536, Propellant, Hydrazine, high purity grade.
- b. MMH shall meet the requirements of MIL-PRF-27404, Propellant, Monomethylhydrazine.
- c. UDMH shall meet the requirements of MIL-PRF-25604, Propellant, uns-Dimethylhydrazine.
- d. Aerozine 50 shall meet the requirements of MIL-PRF-27402, Propellant, Hydrazine-uns-Dimethylhydrazine (50% N₂H₄ – 50% UDMH).
- e. Nitrogen tetroxide and mixed oxides of nitrogen shall meet the requirements of MIL-PRF-26539, Propellants, Dinitrogen Tetroxide, , type MON-3.
- f. Ammonia shall be procured with a minimum purity of 99.99 percent (liquid phase).

APPROVED FOR PUBLIC RELEASE—DISTRIBUTION IS UNLIMITED

7.15.6 Specimen Preparation

The goal of material testing is to simulate, as close as possible, the actual usage. To this end, the material preparation should employ the same cleaning and preparation processes (for example, surface finish, porosity, and heat treatment) that are expected to be used on the materials in the field.

a. Solid and foam materials shall be cut to obtain three specimens 4 by 1 by 0.15 cm (1.6 by 0.4 by 0.06 in) to obtain a total surface area measuring approximately 25 (± 5) cm² (3.9 (± 0.8) in²).

During specimen preparation, consideration should be given to edge effects of the specimen, e.g., cut ends of composite structures, insufficient application of coatings.

Specimens are prepared to a geometric surface area; however, the actual surface area may be greater.

b. Greases, semisolids, and liquids shall be applied onto both sides of a tared, wedge-shaped 304L stainless steel substrate.

c. The tare weight of the 304L stainless steel substrate shall be determined to an accuracy of 1.0×10^{-4} g.

d. Electrical insulation from wires and cables shall be stripped to prepare a specimen measuring 25 (± 5) cm² (3.9 (± 0.8) in²) specimen of the insulation.

e. Inks, adhesives, coatings, and primers.

(1) Test materials shall be applied in the end-use thickness onto abraded 4- by 1- by 0.15-cm (1.6- by 0.4- by 0.06- in) 304L stainless steel substrates.

(2) Requested cures shall be performed.

(3) A default thickness of 0.013 cm (0.005 in) shall be used if the adhesive end-use thickness is not specified.

(4) Sufficient substrates shall be coated to achieve a 25- (± 5 -) cm² (3.9- (± 0.8 -) in²) specimen.

f. Heat-shrinkable tubing.

(1) Tubing shall be pre-shrunk in accordance with manufacturer's instructions to simulate actual-use conditions.

(2) Tubing shall be cut to achieve a surface area of 25 (± 5) cm² (3.9 (± 0.8) in²).

APPROVED FOR PUBLIC RELEASE—DISTRIBUTION IS UNLIMITED

NASA-STD-6001B

g. Pressure-sensitive tapes shall be applied to both sides of three 4- by 1- by 0.15-cm (1.6- by 0.4- by 0.06-in) 304L stainless steel substrates to achieve a surface area of $25 (\pm 5) \text{ cm}^2$ ($3.9 (\pm 0.8) \text{ in}^2$).

h. Segments shall be cut or an appropriate number of O-rings and irregularly shaped items be used to achieve a surface area of $25 (\pm 5) \text{ cm}^2$ ($3.9 (\pm 0.8) \text{ in}^2$).

i. Specimens shall be cleaned to end-use specifications.

j. The specimen's mass shall be determined and the approximate surface area reported.

k. Flaws or residual contamination shall be reported.

l. A reference specimen shall be prepared for the immersion test.

7.15.7 Test System

This test requires the handling of hazardous fluids and has the potential to produce energetic events, such as fire, thermal runaway, and explosion.

a. The test system for the immersion test (figure 3, Immersion Test System for Test 15) shall consist of one reference and one specimen immersion tube, each constructed of borosilicate glass and instrumented with a pressure transducer.

b. The total ullage volume above the fill line shall be sufficient for accurate pressure measurement and recorded.

c. The remainder of the system shall be constructed of 304L stainless steel.

d. The immersion tubes shall be maintained in a temperature-controlled water bath instrumented with at least one thermocouple positioned in the bath near the immersion tubes.

(1) Thermocouples shall not touch the immersion bath container sides or bottom.

(2) The water bath level shall always be above the specimen and reference tube fill levels.

APPROVED FOR PUBLIC RELEASE—DISTRIBUTION IS UNLIMITED

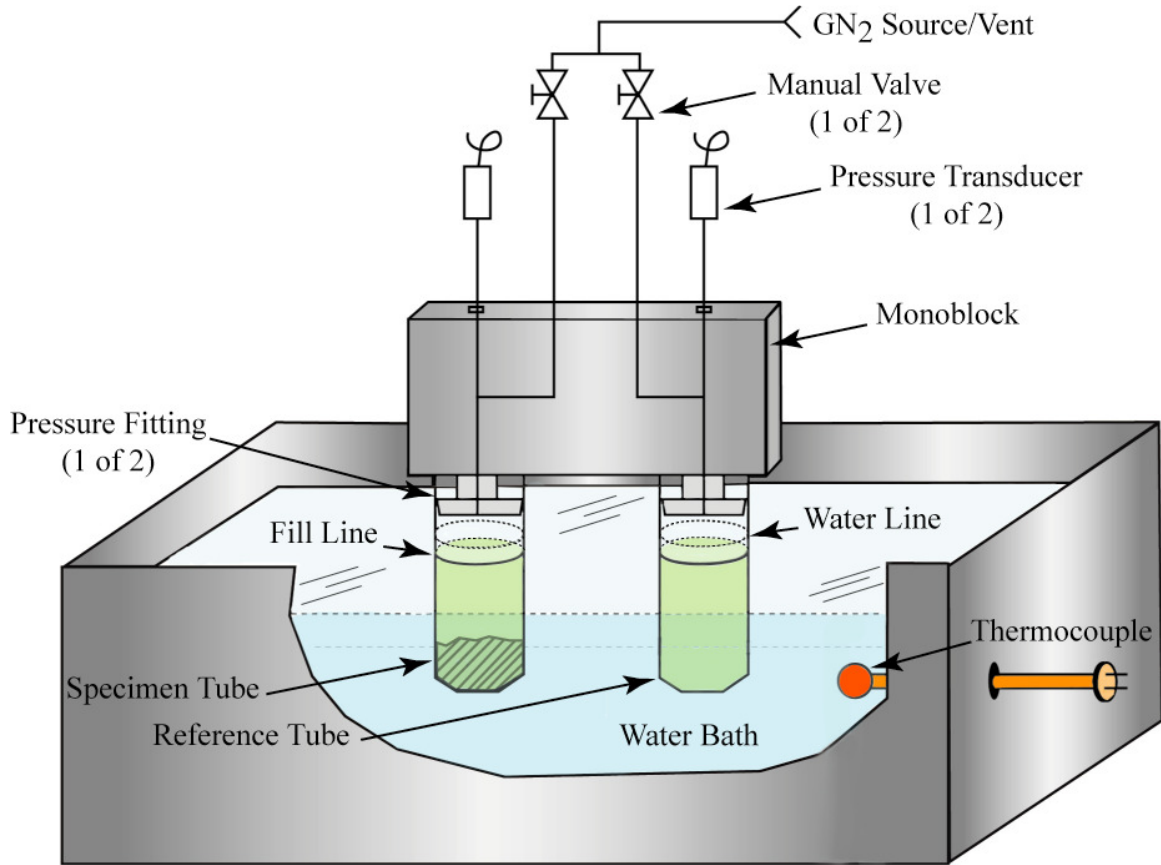


Figure 3—Immersion Test System for Test 15

- e. Test data, consisting of time, temperature, and pressure, shall be recorded at appropriate intervals (depending on the reaction rate) throughout the test.
- f. The immersion system shall have provisions for inert atmosphere purging, filling operations, and cleaning.

Analytical techniques for post-test analysis of the fluid and material include nonvolatile residue (NVR), gas chromatography, ion chromatography, DSC, or Fourier transform infrared spectroscopy (FTIR).

7.15.8 Pre-Test Procedure

- a. The fluid to be used in testing shall be analyzed and verified to meet the required specifications before use.
- b. All pertinent information for the test (for example, specimen identification, composition, pre-test mass and dimensions, and fluid analysis results) shall be recorded.

APPROVED FOR PUBLIC RELEASE—DISTRIBUTION IS UNLIMITED

NASA-STD-6001B

- c. Reference/pre-test photographic images of the specimens shall be acquired and retained.
- d. The test system shall be clean and all the measuring devices in current calibration.

7.15.9 Test Procedure

The test system for the screening test should consist of a nonreactive glass beaker in a fume hood approved for the handling of the test fluid.

- a. Screening Test Procedure.
 - (1) A test specimen weighing ≤ 0.25 g shall be placed in the glass container.
 - (2) The test fluid shall be added drop by drop with observation for any evidence of gross reactivity.
 - (3) If no gross reactivity is observed, the remainder of the test fluid (typically 10 ml total) shall be added.
 - (4) The specimen shall be observed for visible signs of reaction at the beginning and appropriate intervals (depending on the reaction rate) throughout the test.

The screening test may be stopped at signs of gross reactivity.

- (5) At the end of the 2-hr exposure:
 - A. The specimen shall be removed from the fluid.
 - B. Observations shall be recorded.
 - C. Post-exposure mass and dimensions shall be recorded for the remaining material.
 - D. Post-test visual observations shall be made using defined standard terms (table 4, Standard Descriptive Terms and Definitions for Test 15 Post-Test Analysis).

APPROVED FOR PUBLIC RELEASE—DISTRIBUTION IS UNLIMITED

NASA-STD-6001B

Table 4—Standard Descriptive Terms and Definitions for Test 15 Post-Test Analysis

DESCRIPTIVE TERM	DEFINITION
Adherent	Bonded or clinging to the surface of a material
Brittle	Easily fractured or broken, not malleable or ductile
Bubble	To form gaseous products
Char	To darken appreciably in color, as in oxidation
Decompose	To break down into component parts or disintegrate, either partially or completely
Degradation	An adverse physical or chemical change in a substance
Discolor	To alter the color
Dissolve	To pass into solution with little or no decomposition
Firm	Stiff and unyielding to pressure
Flexible	Capable of being bent; pliable
Friable	Property of a substance capable of being easily rubbed, crumbled, or reduced to powder
Frothing	A mass of bubbles adhering to the liquid surface; foam
Hard	Resistant to pressure, not readily penetrated, firm
Matte	Having a dull, non-reflective surface or finish
No Visible Reaction	No visual evidence of change
Opaque	Does not transmit light
Pitted	Marked by pits or small depressions, either regular or irregular
Powder	Ground, dispersed solid particles
Reaction	A chemical change in which a substance decomposes, combines with other substances, or interchanges constituents with other substances
Reactive Fluid	A fluid that readily responds to a stimulus through reaction
Rigid	Not bending; inflexible
Rough	A bumpy, uneven surface
Shape	The characteristic bulk configuration or form
Smooth	Having a surface free from irregularities, projections, or roughness
Soft	Yielding readily to pressure or weight
Solid	Of definite shape and volume; a single piece
Swell	To increase in size or volume as a result of liquid absorption
Tacky	Adhesive or gummy to the touch
Translucent	Transmits light but does not permit the perception of images
Transparent	Transmits light to the extent that images can be perceived
Woven	Constructed from an interlacing of webs or strands
Wrinkled	Ridges or creases on surface

If the material is determined to be reactive, it does not continue to the immersion test.

If there is slight or no reactivity observed, then the test lead has the option to continue to the immersion test.

APPROVED FOR PUBLIC RELEASE—DISTRIBUTION IS UNLIMITED

NASA-STD-6001B

b. Immersion Test Procedure.

- (1) Both the test specimen and the reference material specimen shall be exposed to the same fluid in their respective containers.
- (2) For polymeric specimens, polytetrafluoroethylene (ASTM D3294 Type 1, Grade 1, and a minimum of class B) shall be used as the reference material.
- (3) For metallic specimens, 304L stainless steel shall be the reference material.
- (4) The specimen and the reference materials shall be placed in the appropriate immersion tube and then purged with GN₂ to remove air.
- (5) The system shall be checked for leaks and sufficient test fluid (~25 ml) added up to the fill line to cover the specimen completely to produce the same ullage space in the specimen and the reference tubes.
- (6) The pressure and temperature recording system shall be activated.
- (7) The immersion tubes shall be placed in the water bath with the water bath level above the specimen and reference tube fill levels.
- (8) Heating of the bath shall be ~0.25 °C (~0.32 °F)/min.
- (9) When not in use, the system shall be maintained under dry GN₂ purge.

The duration of the test is 48 hr; however, the test may be terminated early if excessive pressure generation is noted and the time until test termination will be recorded.

- A. The closed system shall be held at 71 (±3) °C (160 (±5) °F).
- B. Pressure shall be recorded as a function of time.
- C. At the end of the test, the immersion tubes shall be vented, removed from the water bath, and allowed to cool.
- D. The test fluid shall be removed from the immersion tubes using inert atmosphere transfer and submitted for post-test analysis.
- E. The immersion tubes shall be removed from the system, inspected, rinsed with deionized water, and allowed to dry overnight.

APPROVED FOR PUBLIC RELEASE—DISTRIBUTION IS UNLIMITED

NASA-STD-6001B

- F. *The types of post-test fluid analyses are determined by the fluid being tested.*
- i. Post-test analyses for hydrazine fuels shall include assay or purity, carbon dioxide (CO₂), and NVR.
 - ii. Nitrogen tetroxide and ammonia post-test analyses shall include NVR.
- In each case, the NVR may be analyzed for the appropriate metals (metallic specimen) or anions (polymeric specimen).*
- G. Post-test material analyses shall include photographic documentation, visual observations using the standard terms (table 4), and determination of the material mass and dimensions after a documented drying time.
- H. Post-test DSC and FTIR analyses shall be performed on specimens tested in nitrogen tetroxide as a screen for the formation of potentially energetic materials produced by nitration.

7.15.10 Reporting

- a. The test report shall include specimen identification, method of preparation, configuration, fluid identity and specification (including grade), test conditions, data, and observations from the test, including visual observations, photographic images, gas evolution rate or system pressure with time, and results of post-test analyses.
- b. The test report shall be submitted to MAPTIS in a MAPTIS-compatible format.
- c. If there is a deviation from standard test conditions (for example, test duration, temperature, and specimen surface area), the test shall be identified as nonstandard.

7.15.11 Precision

Measurements shall be made to the following precision:

- a. Absolute pressure: ± 3 kPa (± 0.5 psi).
- b. Temperature: ± 3 °C (± 5 °F).
- c. Specimen dimensions: ± 2 mm (± 0.08 in).
- d. Specimen Mass: ± 1 mg.
- e. Time: ± 10 sec.

APPROVED FOR PUBLIC RELEASE—DISTRIBUTION IS UNLIMITED

7.15.12 Failure Criteria

The criteria listed below are for materials failing the test. If the material does not fail, it still may not be appropriate for the proposed application without additional long-exposure application and configuration-specific testing.

The material shall be considered to have failed this test if any of the following occur in either the screening test or the immersion test:

- a. Burning, charring, or fire.
- b. Frothing.
- c. The material dissolves in the test fluid.
- d. The material crumbles, becomes friable, or generates particulate.
- e. The material changes shape or physical dimensions by more than 20 percent.
- f. The material suffers more than 20 percent degradation of the physical properties for which it was selected.

Physical property degradation should be determined by comparison of the physical properties with unexposed control specimens from the same lot of material, using test methods identified in the procurement specification. When the procurement specification does not identify test methods, the test methods in the manufacturer's product data sheet should be used.

- g. Visible changes in appearance of the test fluid (color and/or clarity).
- h. For nitrogen tetroxide, a pressure rise >68.9 kPa (>10 psi).
- i. For polymers exposed to nitrogen tetroxide, evidence of material nitration as indicated by DSC and/or FTIR.

Pressure rise in the system is indicative of a chemical reaction, which will vary depending on the fluid. Ammonia and nitrogen tetroxide do not degrade catalytically, and a pressure rise is an indication of a chemical reaction. For the hydrazine family of fuels, the reaction is usually catalytic; the rate is dependent on the material and the surface area. No failure criteria for the gas evolution rate for the hydrazine fuels has been established because surface area of the use parts may be small, as in the case of O-rings or gaskets; however, the gas evolution data should be considered in the material selection.

In most cases, the generation of ionic species in solution, especially halides, can increase the potential for corrosion in a system. Generation of NVR or particulate has the

APPROVED FOR PUBLIC RELEASE—DISTRIBUTION IS UNLIMITED

NASA-STD-6001B

potential of reducing flow in a system or interfering with close-tolerance moving parts, such as valves.

7.15.13 Quality Control

Quality control is based on the system reference side pressure.

a. Based on historical data, the pressure rise on the system reference side shall be <0.4 kPa (<0.06 psia)/hr for nitrogen tetroxide and ammonia.

b. In the case of the hydrazine fuels, the gas evolution rate shall be <7.0 x 10⁻³ standard cm³/(cm² hr).

7.16 Determination of Offgassed Products from Assembled Article (Test 16)

Deleted in previous version.

7.17 Upward Flammability of Materials in GOX (Test 17)

VCS adopted and tailored.

7.17.1 Purpose

The purpose of this test is to determine the flammability of materials at the use pressure in GOX at ambient or elevated temperatures. This test can be used to provide supplemental information by testing at pressures other than the intended use pressure.

7.17.2 Test Summary

a. Test 17 shall determine the flammability of materials at the use pressure in GOX at ambient or elevated temperatures.

Test 17 may be used to provide supplemental information by testing at pressures other than the intended use pressure.

b. The test specimens shall be 0.32-cm (0.126-in) diameter rods with a minimum length of 10.2 cm (4 in).

c. The specimens shall be mounted vertically in a test chamber, ignited at the bottom by an ignition system, and allowed to burn until each self-extinguishes.

d. The burn length, e.g., the length of the specimen that has been consumed by combustion, shall be measured.

APPROVED FOR PUBLIC RELEASE—DISTRIBUTION IS UNLIMITED

NASA-STD-6001B

e. To determine a pressure at which the material is not flammable, at least 10 specimens shall be tested without consumption >3 cm (>1.2 in).

7.17.3 Test Criteria

A material is considered flammable at the maximum use pressure if at least one specimen burns >3 cm (>1.2 in).

a. To determine a pressure at which the material is not flammable, at least 10 specimens shall be tested without consumption greater than >3 cm (>1.2 in).

The results of this test are dependent upon the configuration of the test specimens. Specimens with high-surface-area-to-volume ratios, e.g., filter materials, burn at lower pressures than specimens in bulk configuration, e.g., 0.32-cm (0.126-in) rods.

b. The test shall be considered valid only if the promoter ignites, burns, and detaches from the specimen.

7.17.4 Test Method

The test method defined in ASTM G124, Standard Test Method for Determining the Combustion Behavior of Metallic Materials in Oxygen-Enriched Atmospheres, shall be followed for this test, with the following exceptions, clarifications, and additions.

The relevant ASTM G124 section is included in parentheses.

ISO 14624-4, Space systems — Safety and compatibility of materials — Part 4: Determination of upward flammability of materials in pressurized GOX or oxygen-enriched environments, describes a similar test procedure.

a. Exception (throughout): The specimen shall be tested at ambient temperature if its use temperature is ≤ 260 °C (≤ 500 °F).

b. Exception (section 8.2): For metallic materials, the promoter shall consist of a sufficient quantity of aluminum or magnesium to release at least 3.0 kJ (717 cal).

c. Exception (section 8.2): For polymeric materials, the promoter shall be sufficient for ignition of the material, as determined by the responsible NASA program/project M&P organization.

d. Exception (section 10.1): The test specimens shall be a minimum of 10.2 cm (4 in) (± 5 percent) in length.

A minimum length of 15 cm (6 in) (± 5 percent) is preferable.

APPROVED FOR PUBLIC RELEASE—DISTRIBUTION IS UNLIMITED

NASA-STD-6001B

e. Exception (section 10.1): If a material cannot be obtained or prepared in the cylindrical form, a nonstandard specimen shall be prepared.

The nonstandard specimen should have 0.32-cm (0.126-in) (± 5 percent) sides and should be a minimum of 10.2 cm (4 in) (± 5 percent) in length.

f. Addition (section 16): The sample temperature measurement shall have precision of ± 5 percent of reading.

g. Addition (section 16): The test report shall be submitted to MAPTIS in a MAPTIS-compatible format.

h. Addition (section 16): If there is a deviation from the standard test parameters (for example, nonstandard specimen preparation, orientation, configuration, ignition source, and test pressure), the test shall be identified as nonstandard.

i. Addition (section 16.1.6): The pressure measurements shall have a precision of ± 1 percent of reading.

j. Addition (section 16.1.9): The measurement of the length of sample consumed shall have a precision of ± 0.25 cm (± 0.1 in).

7.18 Arc Tracking (Dry Arc Propagation Resistance) (Test 18)

7.18.1 Purpose

The purpose of this test is to provide an assessment of the ability of an insulation to prevent damage in an electrical arc environment. This test also evaluates the ability of the insulation to prevent further arc propagation when the electrical arc is re-energized.

7.18.2 Test Summary

This test method evaluates the general arc propagation resistance characteristics of wire insulations. The test consists of connecting five wires of a seven-wire bundle to a specified power supply and installing the bundle in a test fixture to hold the wire bundle perpendicular to an abrader blade. The abrader blade is used to initiate an arc through oscillation. The extent of damage caused by arc propagation and the capability of wires to maintain their dielectric strength are evaluated.

7.18.3 Test Criteria

a. To determine the arc propagation resistance of the wire configuration, at least 15 seven-wire bundles shall be tested.

APPROVED FOR PUBLIC RELEASE—DISTRIBUTION IS UNLIMITED

NASA-STD-6001B

b. A wire insulation material shall be considered to have met the acceptance criteria of this test if all the following requirements are met:

- (1) At least 64 wires shall pass the dielectric test.
- (2) Three wires or less shall fail the dielectric test in any one bundle.
- (3) Actual damage to the wire shall not be more than 7.6 cm (3 in) in any one bundle.

7.18.4 Definitions

Definitions of relevant terms used in the description of this test method are:

Arc: A continuous, luminous discharge of electric current crossing a gap between two conducting surfaces.

Arc tracking (arc propagation): That phenomena whereby an arc between two or more wires, once initiated, will sustain itself through a conductive path provided by degradation of the insulation for a measurable length.

7.18.5 Test Conditions

Test conditions shall be as defined in either MIL-STD-2223, Test Methods for Insulated Electric Wire, Method 3007, Dry Arc-Propagation Resistance, or SAE AS4373, Test Methods for Insulated Electrical Wire, Method 508, Dry Arc Propagation Resistance.

7.18.6 Specimen Preparation

- a. A test specimen shall be a bundle of seven wires and of sufficient length (35.6 cm (14 in) minimum) to allow the bundle to be installed in the test fixture.
- b. Fifteen bundles shall be required for a full test.

For this test, 20 American Wire Gauge wire is recommended.

- c. The specimens shall be prepared according to MIL-STD-2223, Method 3007, or SAE AS4373, Method 508.

7.18.7 Test System

The test system shall be that described in MIL-STD-2223, Method 3007, or SAE AS4373, Method 508.

APPROVED FOR PUBLIC RELEASE—DISTRIBUTION IS UNLIMITED

NASA-STD-6001B

7.18.8 Pre-Test Procedure

The pre-test procedures shall be those described in MIL-STD-2223, Method 3007, or SAE AS4373, Method 508.

7.18.9 Test Procedure

The test procedures shall be those described in MIL-STD-2223, Method 3007, or SAE AS4373, Method 508.

7.18.10 Reporting

a. The test report shall include specimen identification, test conditions, total number of wires that pass the dielectric test, number of wires from each bundle that pass the dielectric test, and the length of physical damage to each individual wire in the bundle.

b. The test report shall be submitted to MAPTIS in a MAPTIS-compatible format.

For Test 18, test standards that meet or exceed the requirements of MIL-STD-2223, Method 3007, or SAE AS4373, Method 508, may be used with the approval of the responsible NASA program/project M&P organization.

APPROVED FOR PUBLIC RELEASE—DISTRIBUTION IS UNLIMITED

APPENDIX A

SUPPLEMENTAL TESTS

A.1 Purpose and/or Scope

The purpose of this appendix is to provide requirements for test methods that are selected to provide supplemental data.

A.2 Test Methods for Providing Supplemental Data

a. Tests shall be performed by test facilities certified in accordance with Appendix B in this Standard.

- (1) The test facility shall demonstrate GLPs to produce accurate and repeatable test data.
- (2) GLPs shall include calibration and maintenance procedures.
- (3) At least every 2 years, test facilities shall demonstrate testing proficiency to maintain certification in accordance with Appendix B in this Standard.

b. Properly identified material for testing shall be provided by the responsible NASA Center or contractor hardware supplier and accompanied by a test request form similar to that provided in Appendix D in this Standard.

Alternatively, certified test facilities can be authorized by the test requester to procure the appropriate materials.

c. Material and Specimen Receipt and Preparation

- (1) Materials shall be accompanied by MSDSs to comply with materials-handling requirements defined by OSHA.
- (2) Material specimens shall be visually inspected and any flaws or contamination noted in the test report.

Materials and configured system characteristics can be significantly compromised by sources of contamination (such as exposure to solvents, cleaning agents, environmental pollutants, particulates, and handling), abnormal temperatures, and/or variations in humidity. It is important that exposure of the material to degrading environments be controlled sufficiently to minimize variation in test results.

APPROVED FOR PUBLIC RELEASE—DISTRIBUTION IS UNLIMITED

NASA-STD-6001B

- (3) Specimens shall be prepared in the proper dimensions.
- (4) Specimens shall be weighed and identified individually.
- (5) Specimens shall be cleaned to end-use specifications.
- (6) Specimens shall be inspected after preparation to ensure suitability for the specific test requested.
- (7) As a minimum, all fluids used for testing shall meet or exceed user specifications.

d. When there is a deviation from standard test parameters, e.g., nonstandard specimen preparation or test conditions, the test shall be identified as nonstandard.

Table 3 lists the minimum quantities of material required to perform each test properly.

A.2.1 Heat and Visible Smoke Release Rates (Test 2)

A.2.1.1 Purpose

The purpose of this test is to provide supplemental information on the flammability of materials.

The information obtained from this test includes effective heat of combustion, time to ignition, rate of heat released, smoke obscuration, and total heat released.

A.2.1.2 Test Summary

This test method consists of exposing specimens in flowing ambient air or oxygen-enriched environments, while subjecting them to a predetermined external heat flux. Burning may be either with or without spark ignition. The measurements include oxygen concentrations, exhaust gas flow rate, mass-loss rate of the specimen, length of time to sustained flaming, and smoke obscuration. The rate of heat release is determined by measurement of the oxygen consumption; the effective heat of combustion is determined from a simultaneous measurement of specimen mass-loss rate in combination with the heat release rate; and smoke development is measured by obscuration of light caused by the combustion product stream.

A.2.1.3 Test Criteria

The test shall be conducted on specimens that are representative of those in the intended use environment and at worst-case conditions.

APPROVED FOR PUBLIC RELEASE—DISTRIBUTION IS UNLIMITED

NASA-STD-6001B

There is no pass/fail criteria associated with this test. However, the test results may be used as elements of a fire risk assessment, which considers the factors that are pertinent to an assessment of the fire hazard of a particular end use (for example, scaling, surface morphology, and microgravity). The standard test is conducted under flow rates of GOX/ GN₂ mixtures, which may not be representative of real spacecraft applications.

A.2.1.4 Definitions

Definitions of relevant terms used in the description of this test method are:

Effective heat of combustion: The measured heat release divided by the mass loss for a specified time period.

Extinction coefficient: A measure of the reduction of light transmission through a medium.

Heat flux: The incident flux imposed externally from the radiant heater on the specimen.

Ignitability: The propensity of a material to ignite as measured by the time to ignition at a specified heating flux.

Rate of heat release: The heat evolved from the specimen per unit time.

Smoke obscuration: The reduction of light transmission by smoke, as measured by light attenuation, and reported as the extinction coefficient.

Total heat release: The quantity of heat released determined by integrating the rate of heat released as a function of time.

A.2.1.5 Test Conditions

Test conditions (incident heat flux and oxygen concentration) shall simulate the worst-case conditions in which ignition and combustion of the material are most likely to occur.

A.2.1.6 Specimen Preparation

a. Specimens shall be prepared in accordance with ASTM E1354, Standard Test Method for Heat and Visible Smoke Release Rates for Materials and Products Using an Oxygen Consumption Calorimeter.

b. Coatings or any viscous materials that cannot be mounted for testing without a substrate shall be applied to the end-use substrate material in the worst-case thickness.

APPROVED FOR PUBLIC RELEASE—DISTRIBUTION IS UNLIMITED

NASA-STD-6001B

Aluminum foil substrates, approximately 0.08 mm (0.003 in) thick, can be used if the end-use substrate is not known.

c. Cleaning of Specimens

- (1) Contamination on the surfaces of solid, nonporous specimens shall be removed by washing with deionized water and any detergent, rinsing with deionized water, and drying with filtered GN₂.
- (2) Particulate on the surfaces of solid, porous specimens shall be removed with filtered GN₂.

A.2.1.7 Test System

The test system shall be as described in ASTM E1354 but with additional capabilities that will allow testing in GOX/ GN₂ mixtures other than air.

A typical test system is shown in figure 4, Test System for Test 2.

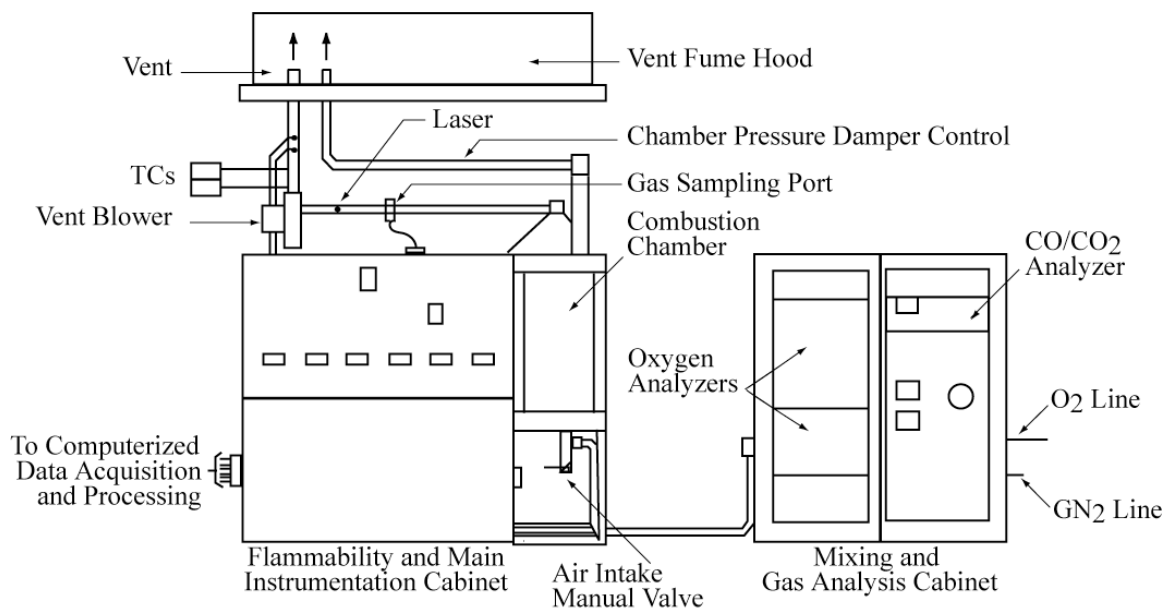


Figure 4—Test System for Test 2

A.2.1.8 Pre-Test Procedure

The pre-test procedures shall be as described in ASTM E1354.

APPROVED FOR PUBLIC RELEASE—DISTRIBUTION IS UNLIMITED

NASA-STD-6001B

A.2.1.9 Test Procedure

The test procedures shall be as described in ASTM E1354, with the following exceptions:

- a. The specimen shall be placed on the load cell in the test chamber and exposed to the test atmosphere by allowing the test gases to flow through the test chamber.
- b. The initial oxygen concentration shall be measured.

A.2.1.10 Reporting

The test report content shall be as described in ASTM E1354.

Proper reporting of the test observations is critical.

A.2.2 Flash Point of Liquids (Test 3)

A.2.2.1 Purpose

The purpose of this test is to provide supplemental information on the flash point of liquids.

A.2.2.2 Test Summary

The test method for determining the flash point of liquids consists of placing a specimen in a specimen cup and heating it at a controlled rate, with or without stirring. A flame is directed into the vapor space of the cup at regular intervals to determine whether a flash occurs. The flame dimensions are specified by the test method; a typical size (described in the ASTM D1310, Standard Test Method for Flash Point and Fire Point of Liquids by Tag Open-Cup Apparatus,) is a 4-mm sphere.

A.2.2.3 Test Criteria

This test is used to determine the flash point of liquids under specified conditions of test; therefore, test criteria are dependent upon the intended use of the material.

The flash point temperature is a measure of the tendency of the test specimen to form a flammable mixture with air under controlled laboratory conditions. It is only one of a number of properties that are considered in assessing the overall flammability hazard of a material.

APPROVED FOR PUBLIC RELEASE—DISTRIBUTION IS UNLIMITED

NASA-STD-6001B

A.2.2.4 Definitions

The definition of the relevant term used in the description of this test method is:

Flash point: The lowest temperature, corrected to a barometric pressure of 101.3 kPa (14.7 psia) at which application of an ignition source causes the vapors of a specimen to ignite under specified test conditions.

A.2.2.5 Selection of a Flash Point Test Method

The appropriate flash point test method for the application shall be selected by following the recommendations of ASTM E502, Standard Test Method for Selection and Use of ASTM Standards for the Determination of Flash Point of Chemicals by Closed Cup Methods.

Depending on the application, an open-cup method, such as ASTM D92, Standard Test Method for Flash and Fire Points by Cleveland Open Cup Tester, or ASTM D1310 also may be used.

A.2.2.6 Test Systems and Procedures

The test systems and procedures shall be identical to those described in the selected ASTM test method(s).

A.2.2.7 Reporting

The test report shall include specimen identification, the method used, test conditions, the flash point of the liquid corrected to 101.3 kPa (14.7 psia), and observations from the test.

A.2.2.8 Precision

Measurements shall meet the precision requirements of the ASTM method(s) used.

A.2.3 Odor Assessment (Test 6)

A.2.3.1 Purpose

The purpose of this test is to determine if the odor from a material or assembled article is objectionable or revolting.

A.2.3.2 Test Criteria

The odor from a material or assembled article is objectionable or revolting if an average rating of 2.5 or higher (on an odor-characteristic scale of 0 to 4) is assigned from the test.

APPROVED FOR PUBLIC RELEASE—DISTRIBUTION IS UNLIMITED

NASA-STD-6001B

A.2.3.3 Definitions

Definitions of relevant terms used in the description of this test method are:

Assembled article: An assembled article could be any component or assembly of components that is not a single material.

Objectionable odor: An odor that is disagreeable (3 on an odor-characteristics scale of 4).

Offgassed product: An organic or inorganic compound evolved as a gas from a material or assembled article.

Offgassing: The evolution of gaseous products from a liquid or solid material into an atmosphere.

Revolting odor: An odor that is extremely offensive and causes discomfort (4 on an odor-characteristics scale of 4).

Ambient (room) temperature: Room temperature is 23 (± 5) °C (73 (± 9) °F).

A.2.3.4 Test Conditions

a. The test atmosphere shall be at least a volume fraction of 20.9 (± 2) percent for GOX, with the balance being GN₂ or argon.

b. Test pressure shall be ± 3.5 kPa (± 0.5 psi) of the test facility ambient pressure.

c. The maximum volume fraction limits (expressed as a volume fraction in $\mu\text{l/l}$) for impurities in the compressed gases shall be:

- (1) Carbon monoxide: 1.0.
- (2) Carbon dioxide: 3.0.
- (3) Total hydrocarbons, as methane: 0.1.
- (4) Halogenated compounds: 0.5.
- (5) Water: 7.0.

Batteries or assembled articles containing batteries should be tested in an inert atmosphere to reduce the risk of generating an explosive gas mixture. The batteries or assembled articles containing batteries tested in an inert atmosphere do not need to be tested again in an oxygen atmosphere for toxic offgassing.

d. The specimen shall be subject to a thermal exposure for 72 (± 1) hr at 50 (± 3) °C (122 (± 5) °F).

APPROVED FOR PUBLIC RELEASE—DISTRIBUTION IS UNLIMITED

NASA-STD-6001B

Specimens tested at one oxygen concentration do not have to be retested at a different oxygen concentration.

A.2.3.5 Specimen Preparation

- a. Test specimens shall be prepared from either materials or assembled articles.
- b. Handling of test specimens shall be in a manner that preserves the integrity of the specimen surface without adding contaminants.
- c. All materials shall meet the requirement of test-material-mass-to-specimen-container-volume ratio of 5.0 (± 0.25) g/l.
- d. Preparation of Specimens to Proper Dimensions

(1) Specimen Preparation for Test Materials Based on Mass.

- A. Materials that are essentially two-dimensional and require application to a substrate (for example, coatings, primers, inks, paints, adhesives, tapes, and thin film lubricants) shall be applied at their thickness of use to clean aluminum substrates.
 - i. A sufficient number of substrates with applied specimen material shall be prepared to provide a net test-material-mass-to-specimen-container-volume ratio of 5.0 (± 0.25) g/l.
 - ii. The approximate total specimen surface area shall be recorded.

Specimens may be applied to both sides of the substrate.
- B. Materials that are essentially two-dimensional and are not applied to a substrate (for example, fabrics, photographic film plastic, plastic film, elastomers, and non-adhesive tape) shall be cut to convenient test dimensions.
 - i. Heat-shrinkable tubing shall be shrunk to simulate actual use configuration.
 - ii. A sufficient quantity of specimens shall be prepared to provide a test-material-mass-to-specimen-container-volume ratio of 5.0 (± 0.25) g/l.
- C. Non-curing liquids shall be placed in suitable non-reactive vessels and the approximate total specimen surface area reported.

APPROVED FOR PUBLIC RELEASE—DISTRIBUTION IS UNLIMITED

NASA-STD-6001B

D. Specialized items and materials that do not meet the above requirements and that require special handling, e.g., non-homogeneous materials.

- i. Such materials shall be tested in the manner designated by the responsible NASA program/project M&P organization.
- ii. The manner of testing and specimen preparation shall be reported.

The desired test-material-mass-to-specimen-container-volume ratio for such materials is 5.0 (± 0.25) g/l.

(2) Specimen Preparation for Flight Articles.

A. Specimens that are assembled articles shall be inspected for parts that are not designated for flight, e.g., dust covers, tape, or test leads.

- i. These items shall be removed before testing.
- ii. The absence of items (for example, batteries or photographic film) that will be included during flight but that are not included with the specimen shall be recorded.

B. The ratio of test-material-mass-to-specimen-container-volume shall be approximately 1:3.

When flight articles are required for other activities and have to be unloaded before the Test 7 results can be evaluated for toxicity, the offgas test atmosphere can be transferred to another specimen container and preserved for odor assessment.

C. When the offgas test atmosphere is preserved for odor assessment, the odor assessment shall be initiated within 14 days from the start of the specimen gas preservation.

e. Specimens shall be cleaned in accordance with section 8.4 of ISO 14624-3:2005.

A.2.3.6 Test System

a. The test system shall consist of the specimen container, the test chamber with controlled temperature, and volunteer odor panel personnel.

APPROVED FOR PUBLIC RELEASE—DISTRIBUTION IS UNLIMITED

NASA-STD-6001B

- b. The specimen container, including any soft goods, shall have an odor rating of 0 (Undetectable), as defined in section A.2.3.8.g in this Standard, when an empty chamber is tested in accordance with the procedure in section A.2.3.8 in this Standard.
- c. The test chamber shall have the capability to maintain the test temperature to within ± 3 °C (± 5.4 °F) for the duration of the test.
- d. The test chamber instrumentation shall have the capability to record the temperature continuously.
- e. Glass syringes (30 cm³ (1.8 in³) capacity) shall be used for measuring and administering the odor specimen.
- f. When administering the specimen, a low-odor non-obtrusive mask that covers the nose and mouth shall be used.
- g. The syringes and masks shall have an odor rating of 0 (Undetectable), as defined in section A.2.3.8.g in this Standard, when an empty chamber or blank air specimen is tested in accordance with the procedure in section A.2.3.8 in this Standard.

A.2.3.7 Pre-Test Procedure

- a. A NASA or NASA contractor volunteer shall perform the following:
 - (1) Read, understand, and sign a consent form as required in NPR 7100.1, Protection of Human Research Subjects, and NPD 7100.8, Protection of Human Research Subjects.
 - (2) Be examined and qualified by a registered medical professional.
 - (3) Be odor qualified by distinguishing the seven primary standards (table 5, Seven Primary Standards for Detection of Odor) from three odorless standards.

Table 5—Seven Primary Standards for Detection of Odor

ODOR	STANDARD COMPOUND	DILUTION IN WATER
Ether	Diethyl ether	90 µl in 333 ml
Camphor	1, 8-Cineole	5 µl in 500 ml
Musk	15-Hydroxypentadecanoic acid lactone	1 mg in 1000 ml
Floral	1-Methyl-1-ethyl-2-phenylpropanol	75 µl in 500 ml
Mint	dl-Menthone	2 µl in 333 ml
Pungent	Acetic acid	2 ml in 333 ml
Putrid	Methyl disulfide	1 µl in 10 l

APPROVED FOR PUBLIC RELEASE—DISTRIBUTION IS UNLIMITED

NASA-STD-6001B

- b. An odor panel shall test each new compressed gas that is used for test atmospheres before use.
- c. Gases used for test atmospheres shall be judged as being odorless.
- d. The specimen containers shall be cleaned by washing with a diluted soap solution and rinsing with deionized water, allowed to dry, and then purged with filtered air or GN₂.
- e. Before use, each container shall be certified to be free of odor by the odor panel.
- f. Before odor testing, materials or assembled articles shall be tested for offgassed products (Test 7).
- g. If the gas from the specimen container has been determined to be unsafe to test, based on the offgassing analysis, the calculated toxic level and reasons for not performing the test shall be recorded.
- h. Duplicate specimens of materials shall be offgassed -- one specimen for offgassing analysis and the other for odor assessment.
- i. If the specimen cannot be provided in duplicate, the same specimen shall be used in both offgassing analysis and odor assessment.
- j. Before each test, members of the odor panel shall receive a nose and throat examination (for nasal irritation or other abnormal conditions) by a medical staff member.
- k. Results of the examination shall be recorded.
- l. Each odor panel member shall identify an odorless solution from two of the seven primary standards.
- m. Members of the odor panel shall not be allowed to participate if their sense of smell has been affected in any manner, such as by recent smoking, ingestion of highly flavored foods, or exposure to pungent vapors.

A.2.3.8 Test Procedure

- a. The specimen shall be weighed and placed in the specimen container.
- b. The atmosphere in the specimen container shall be replaced with the test atmosphere, either by purging or by evacuation.

APPROVED FOR PUBLIC RELEASE—DISTRIBUTION IS UNLIMITED

NASA-STD-6001B

- (1) The requesting organization shall indicate if the specimen can or cannot withstand a vacuum.
- (2) Exposure of any specimen to vacuum shall be less than 3 min.
- c. The specimen container, with the test atmosphere, shall be at the specified test pressure when the test temperature is achieved.
- d. The specimen shall be placed in the test chamber and heated to the test temperature of 50 (± 3) °C [122 (± 5) °F], unless otherwise specified.
 - (1) The test temperature shall be maintained for 72 (± 1) hr.
 - (2) Then, the specimen container shall be cooled to ambient temperature and the pressure recorded.
- e. The odor panel shall be convened.
- f. At least five qualified members shall be administered at least 30 cm³ of the gas from the specimen container.
- g. Using the following scale, each odor panel member shall assign an odor characteristic to the gas from the specimen container.

Undetectable:	0
Barely Detectable:	1
Easily Detectable:	2
Objectionable:	3
Revolting:	4
- h. Between 2 and 4 hr after the test, the panel members shall be examined medically for nasal irritation or other abnormal conditions and the results of this examination recorded.
- i. Each odor panel member shall be exposed to only one odor specimen in 48 hr.

A.2.3.9 Reporting

- a. The test report shall include specimen identification, configuration, test conditions, and the average rating from the odor panel members.
- b. Any nasal irritation or other abnormal conditions from the medical examination shall be recorded.

APPROVED FOR PUBLIC RELEASE—DISTRIBUTION IS UNLIMITED

NASA-STD-6001B

- c. If the material is determined to be unsafe for testing (based on the offgassing analysis from Test 7), the reasons for the determination not to perform Test 6 on the specimen shall be included.
- d. The test report shall be submitted to MAPTIS in a MAPTIS-compatible format.

A.2.3.10 Precision

Measurements shall be made to the following precision:

- a. Absolute pressure: ± 1 percent of reading.
- b. Temperature: ± 3 °C (± 5.4 °F).
- c. Oxygen concentration: ± 0.5 percent of reading.
- d. Mass: ± 0.01 g.

A.2.3.11 Odor Panel Member Requalification

Each odor panel member shall be requalified every 4 months or before conducting an odor test, using the procedure described in section A.2.3.7.a in this Standard.

A.2.4 Configurational Flammability (Test 10)

This test was formerly titled Simulated Panel or Major Assembly Flammability Test.

In situations in which materials do not meet the criteria of Test 1, Test 10 may be used to gather supplemental data.

A.2.4.1 Purpose

The purpose of this test is to determine if a hardware article, when exposed to a standard ignition source, will self-extinguish and not transfer burning debris, which can ignite adjacent materials or other hardware.

A.2.4.2 Test Criteria

Test 10 shall be performed in accordance with the test procedure described in Test 1.

A.2.4.3 Test Method

- a. A test plan specific for the worst-case use environment (maximum temperature, pressure, and oxygen concentration), placement of ignition source, use configuration, and application shall be developed by the test organization in conjunction with the test requester.

APPROVED FOR PUBLIC RELEASE—DISTRIBUTION IS UNLIMITED

NASA-STD-6001B

b. The acceptance criteria shall be determined by the responsible NASA program/project M&P organization.

A.2.5 Mechanical Impact for Materials in Ambient Pressure LOX (Test 13A) and Mechanical Impact for Materials in Variable Pressure GOX and LOX (Test 13B)

A.2.5.1 Purpose

This test provides supplemental information on the reaction sensitivity of materials to ignition by mechanical impact in GOX or LOX. The test can be performed to meet any of the following objectives:

- a. *To characterize the reaction sensitivity of a material at a specific impact energy.*
- b. *To determine the impact energy threshold of a material at a given pressure.*
- c. *To determine the pressure threshold of a material at a given impact energy.*

A.2.5.2 Test Summary

- a. The test specimens shall be 17.5 mm (0.69 in) in diameter
- b. Materials shall be tested in their use thickness for thicknesses up to 6.35 mm (0.25 in).
- c. If the use thickness is greater than 6.35 mm (0.25 in), the test specimen thickness shall be to 6.35 (± 0.13) mm (0.250 (± 0.006) in).

If the use thickness is not known or established, the test specimen thickness should be 1.52 (± 0.13) mm (0.060 (± 0.005) in).

- d. The specimens shall be subjected to mechanical impact at the desired energy and inspected for evidence of a reaction.

A.2.5.3 Test Criteria

This test evaluates the reaction sensitivity of materials when mechanically impacted in oxygen; therefore, the test criteria are dependent on the application. Typical test criteria are as follows:

- a. When impacted at 98 J (72 ft-lb), 20 specimens shall not react.
- b. If 1 specimen out of 20 reacts, 40 additional specimens shall be tested without any reactions.

APPROVED FOR PUBLIC RELEASE—DISTRIBUTION IS UNLIMITED

NASA-STD-6001B

When no test criteria are specified by the requesting organization, these typical criteria should normally be used. If 1 specimen out of 20 reacts, the 40 additional tests should be conducted only if there is sufficient test material and a desire to determine if the material will pass.

A.2.5.4 Definitions

Definitions of relevant terms used in the description of this test method are:

Mechanical impact: Energy delivered by a plummet that has been dropped from a pre-established height onto a striker pin in contact with a specimen.

Reaction: A chemical change in which a substance decomposes, combines with other substances, or interchanges constituents with other substances.

In the mechanical impact test, reaction normally takes the form of ignition or oxidation. A reaction from mechanical impact can be determined by an audible report, an electronically or visually detected flash, or detectable charring of the specimen, specimen cup, or striker pin.

A.2.5.5 Test Conditions

a. For ambient pressure LOX tests, the test conditions (pressure and temperature) shall be the test facility ambient pressure and the LOX boiling point at that pressure.

b. For variable pressure LOX and GOX tests, the test conditions (pressure and temperature) shall be determined for each test as recommended in the OCA.

A.2.5.6 Specimen Preparation

a. Materials shall be prepared as stated in ASTM G86, Standard Test Method for Determining Ignition Sensitivity of Materials to Mechanical Impact in Ambient Liquid Oxygen and Pressurized Liquid and Gaseous Oxygen Environments.

b. The test material dimensions specified in ASTM G86 shall be used, unless otherwise specified by the responsible NASA program/project M&P organization.

As a minimum, unless otherwise specified or approved by the NASA program/project M&P organization, contamination on the surfaces of solid, nonporous specimens should be removed by washing with deionized water and any detergent, rinsing with deionized water, and drying with filtered GN₂.

Particulates on the surfaces of solid, porous specimens should be removed with filtered GN₂.

APPROVED FOR PUBLIC RELEASE—DISTRIBUTION IS UNLIMITED

NASA-STD-6001B

c. The specimen shall be inspected and flaws noted.

d. If the flaws result from specimen preparation at the test facility, new specimens shall be prepared.

If the flaws do not result from specimen preparation at the test facility, the customer is contacted to verify that the test should proceed.

e. When testing materials to determine relative ranking, specimen preparation (including cleaning) and condition (for example, thickness, surface finish, product form) shall be identical.

A.2.5.7 Test System

The test system shall be identical to that described in ASTM G86.

A.2.5.8 Pre-Test Procedure

The pre-test procedure, including calibration of the test system, shall be identical to that described in ASTM G86.

A.2.5.9 Test Procedure

The test procedure shall be identical to that described in ASTM G86, with the exception that testing is performed at the requester-specified pressure, temperature, and impact energy.

A.2.5.10 Reporting

a. The test report shall include specimen identification, configuration, test conditions, number of reactions, and observations from the test.

Proper reporting of the test observations, especially of unusual behavior, is critical.

b. The test report shall be submitted to MAPTIS in a MAPTIS-compatible format.

A.2.5.11 Precision

Precision of measurements (for example, specimen dimensions, drop height, and time) shall be identical to ASTM G86.

APPROVED FOR PUBLIC RELEASE—DISTRIBUTION IS UNLIMITED

A.2.6 Gaseous Fluid Impact for Components

A.2.6.1 Purpose

This test provides supplemental information on the reaction sensitivity of components to rapid pressurization heating when pneumatically impacted in a pressurized GOX system.

The test can be performed to meet any of the following objectives:

- a. To characterize the reaction sensitivity of a component at a specified pressure.*
- b. To determine the pressure threshold for ignition of a component over a range of pressures.*
- c. To determine the temperature reaction threshold of a component at a specified pressure.*

A.2.6.2 Test Summary

- a. The test specimens shall be components in their normal use condition, including the end-use cleanliness level.
- b. The test specimens shall be subjected to gaseous fluid impact at 1.25 times Maximum Operating Pressure (MOP), followed by functional tests and inspection for evidence of ignition.

A.2.6.3 Test Criteria

This test evaluates the reaction sensitivity of components when pneumatically impacted in a pressurized GOX system. Therefore, the test criteria are dependent on the application.

- a. At least one component shall be subjected to a minimum of 60 pneumatic impacts.
- b. Pressurization shall be through the ports specified by an OCA.

Testing of up to three components is preferable.

A.2.6.4 Definitions

The definition of the relevant term used in the description of this test method is:

Gaseous fluid impact: Heat delivered to a specimen by rapid fluid compression; may also be referred to as pneumatic impact, rapid pressurization, or adiabatic compression.

APPROVED FOR PUBLIC RELEASE—DISTRIBUTION IS UNLIMITED

NASA-STD-6001B

A.2.6.5 Test Conditions

- a. Test pressure shall be 1.25 times MOP.
- b. Test gas temperature shall be 60 (± 3) °C (140 (± 5.4) °F).
- c. Pressurization rate to within 95 percent of the test pressure shall be 20 (+0/-5) msec to enhance reaction probability in the component.

A.2.6.6 Specimen Preparation

Components shall be tested in their normal use condition, including the end-use cleanliness level.

A.2.6.7 Test System

The test system shall be as described in ASTM G74, Standard Test Method for Ignition Sensitivity of Materials to Gaseous Fluid Impact, with the exception that the test chamber subassembly is replaced by the component to be tested.

A.2.6.8 Test Procedure

The test procedure for testing components shall be as described in ASTM G74 with the following exceptions:

- a. The test chamber subassembly shall be replaced with the component to be tested.
- b. The configuration of the component to be tested shall be as recommended in the OCA.
- c. The component shall be subjected to impacts at intervals of approximately 30 sec in each test configuration recommended in the OCA.
- d. After testing, each component shall be subjected to functional tests and inspected for signs of ignition.

A.2.6.9 Reporting

The test report shall include specimen identification, configuration, test conditions, number of reactions, and observations from the test.

Proper reporting of the test observations, especially of unusual behavior, is critical.

APPROVED FOR PUBLIC RELEASE—DISTRIBUTION IS UNLIMITED

A.2.6.10 Precision

Measurements shall be made to the following precision:

- a. Absolute pressure: ± 1 percent of reading.
- b. Temperature: ± 3 °C (± 5.4 °F).

A.2.7 Reactivity and Penetration of Materials due to Incidental Exposure to Hydrazine, Monomethylhydrazine, Unsymmetrical Dimethylhydrazine, Aerozine 50, Nitrogen Tetroxide, and Ammonia

A.2.7.1 Purpose

The purpose of this test is to identify changes resulting from incidental exposure (minor amounts, such as a splash) to fluids that degrade or penetrate the material or produce a reaction.

A.2.7.2 Test Criteria

This test is used to determine and document the effects of the hydrazine family of fuels, nitrogen tetroxide and mixed oxides of nitrogen, and ammonia on materials; therefore, any test criteria are dependent on the intended use of the material.

The acceptability of the material is determined by the test requester and the responsible NASA program/project M&P organization.

A.2.7.3 Definitions

Definitions of relevant terms used in the description of this test method are:

Degradation: An adverse physical or chemical change in a substance.

Reaction: A chemical change in which a substance decomposes, combines with other substances, or interchanges constituents with other substances.

A.2.7.4 Test Conditions

a. Unless otherwise specified, the test conditions shall be the test facility ambient temperature and pressure.

Incidental exposure time is considered to be ≤ 240 min.

Test exposure time is specified by the test requester, based on the intended use for the material and expected duration of field exposure.

APPROVED FOR PUBLIC RELEASE—DISTRIBUTION IS UNLIMITED

NASA-STD-6001B

In the case of gross reactivity, the test may be terminated early.

b. Test Fluids

- (1) Hydrazine shall meet the requirements of MIL-PRF-26536.
- (2) UDMH shall meet the requirements of MIL-PRF-25604.
- (3) MMH shall meet the requirements of MIL-PRF-27404.
- (4) Aerozine 50 shall meet the requirements of MIL-PRF-27402.
- (5) Nitrogen tetroxide and mixed oxides of nitrogen shall meet the requirements of MIL-PRF-26539.
- (6) Ammonia shall be procured with a stated purity of 99.99 percent (liquid phase).

A.2.7.5 Specimen Preparation

A.2.7.5.1 Films, Fabrics, Sheets, Metals, and Composites

Preparation of these specimens for testing involves the following tasks:

- a. Preparation of a specimen of the proper mass or dimensions: specimens shall be prepared to a geometric surface area of 10.2 by 10.2 cm (4 by 4 in).
- b. Specimens shall be cleaned and dried to end-use specifications.

A.2.7.5.2 Adhesives and Coatings

Adhesives and coatings shall be applied in a thickness equivalent to normal use on aluminum foil or 304L stainless steel substrate and cured, if necessary, in accordance with the manufacturer's instructions.

A.2.7.5.3 Tapes

Tapes shall be applied in the as-received condition and thickness on aluminum foil or 304L stainless steel substrate or a nonreactive substrate, e.g., watch glass, glass Petri dish.

APPROVED FOR PUBLIC RELEASE—DISTRIBUTION IS UNLIMITED

NASA-STD-6001B

A.2.7.5.4 Greases and Gels

Greases and gels shall be applied on aluminum foil or 304L stainless steel substrate in a thickness equivalent to the normal use and cured, if required, in accordance with the manufacturer's instructions.

A.2.7.5.5 Complex Shapes

Complex shapes, e.g., O-rings, cables, and pipes, shall be tested in a cleanliness and configuration consistent with the intended use.

A.2.7.6 Test System

This test requires handling hazardous fluids and has the potential to produce energetic events such as fire, thermal runaway, and explosion.

a. The test system for the reactivity and penetration test for films, fabrics, sheets, metals, adhesives, coatings, and composites shall consist of a nonreactive glass beaker in a fume hood approved for the handling of the test fluid.

b. The test system for the reactivity test for all other materials shall consist of a nonreactive substrate (for example, watch glass, glass Petri dish) in a fume hood approved for the handling of the test fluid.

Optionally, the test system may include a thermocouple or resistance thermometer to monitor the temperature of the test fluid during the test.

A.2.7.7 Pre-Test Procedure

a. The fluid to be used in testing shall be analyzed and verified to meet the required use specifications before use.

b. All pertinent information for the test (for example, specimen identification, composition, pre-test mass and dimensions, and fluid analysis results) shall be recorded.

c. Reference/pre-test photographic images of the specimens shall be obtained.

d. The test system shall be visibly clean.

e. All the measuring devices shall be in current calibration.

f. As a precaution, initial exposure test of the specimen material shall be conducted in accordance with the screening test procedure of Test 15.

APPROVED FOR PUBLIC RELEASE—DISTRIBUTION IS UNLIMITED

NASA-STD-6001B

A.2.7.8 Test Procedure

A.2.7.8.1 Reactivity and Penetration of Films, Fabrics, Sheets, Metals, and Composites

- a. The test material specimen shall be placed over a nonreactive beaker.

Optionally, position a sheathed thermocouple or resistance thermometer so that it touches the center of the test specimen and will be immersed in the test fluid.

- b. The test fluid (typically 1 ml total) shall be added drop by drop, slowly at first, and observed for any evidence of gross reactivity.

Optionally, monitor the temperature of the test fluid.

- c. If no gross reactivity is observed, the remainder of the test fluid shall be added to the center of the specimen, without exposing the edges of the specimen to the fluid.

During specimen preparation, consideration should be given to edge effects of the specimen, e.g., cut ends of composite structures, insufficient application of coatings.

Specimens are prepared to a geometric surface area; however, actual surface area may be greater.

- d. The specimen shall be continuously exposed to the test fluid for the specified exposure time.

Test fluid should be added as required to maintain a visible liquid film on the test specimen during the exposure time.

Optionally, monitor the temperature of the test fluid throughout the specified exposure time.

- e. The specimen shall be observed for visible signs of reaction (table 4) (for example, burning, smoking, frothing, charring, solubility, swelling, fracture, or penetration and the specimen) throughout the test.

If the temperature was monitored, the starting temperature of the test fluid, the maximum fluid temperature observed during the test and the time of occurrence, and the test fluid temperature at the end of the test are recorded.

The test may be terminated at signs of gross reactivity.

- f. After testing, each component shall be visually inspected for signs of degradation.

APPROVED FOR PUBLIC RELEASE—DISTRIBUTION IS UNLIMITED

NASA-STD-6001B

g. The time of the first instance of penetration (first drop of liquid in the beaker) shall be recorded.

h. For materials used for protective garments, the time of initial appearance of wetness on the underside of the test specimen shall be recorded.

Atmospheric condensation could form on the underside of the test specimen, giving a false indication of penetration; verification of penetration should be made.

A.2.7.8.2 Reactivity of All Other Materials

a. The specimen shall be placed on a nonreactive substrate, e.g., watch glass, glass Petri dish.

Optionally, position a sheathed thermocouple or resistance thermometer so that it touches the center of the test specimen and will be immersed in the test fluid.

b. The test fluid shall be added drop by drop, slowly at first, and observed for any evidence of gross reactivity.

Optionally, monitor the temperature of the test fluid.

c. If no gross reactivity is observed, the remainder of the test fluid (typically 1 ml total) shall be added to the center of the specimen, without exposing the edges of the specimen to the fluid.

d. The test fluid shall be allowed to stand on the specimen for the specified exposure time.

Test fluid should be added as required to maintain a visible liquid film on the test specimen during the exposure time.

Optionally, monitor the temperature of the test fluid throughout the specified exposure time.

e. The specimen shall be observed for visible signs of reaction (table 4) (for example, burning, smoking, frothing, charring, solubility, swelling, fracture, and penetration of the specimen) throughout the test.

If the temperature was monitored, the starting temperature of the test fluid, the maximum fluid temperature observed during the test and the time of occurrence, and the test fluid temperature at the end of the test are recorded.

APPROVED FOR PUBLIC RELEASE—DISTRIBUTION IS UNLIMITED

NASA-STD-6001B

f. At the end of the specified exposure time, the liquid shall be blotted from the specimen.

(1) The specimen shall be rinsed with running water for 60 sec.

(2) The test specimen shall be allowed to air dry for 24 hr before final evaluation.

g. Greases or uncured materials shall not be rinsed or blotted.

(1) Any excess test liquid shall be poured off.

(2) The test specimen shall be allowed to stand in air for 24 hr before final evaluation.

A.2.7.8.3 Post-Test Material Analysis

Post-test material analysis shall include photographic documentation, visual observations of the material using the defined standard terms (section 7.15.9, table 4 in this Standard), and determination of the mass and dimensions when possible.

A.2.7.9 Reporting

a. The test report shall include specimen identification, configuration, fluid identity, test conditions, and observations from the test.

b. Any reactivity observed during the exposure (for example, burning, smoking, frothing, charring, solubility, swelling, and fracture of the specimen) shall be recorded.

c. For penetration, the elapsed time at the first instance of penetration (or appearance of underside wetness for protective garments) shall be reported.

If the temperature was monitored, the starting temperature of the test fluid, the maximum fluid temperature observed during the test and the time of occurrence, and the test fluid temperature at the end of the test are reported.

d. Relevant post-test analysis results for the material shall be included.

e. Post-test photographic images shall be included, as required, to document condition of the material.

f. The test report shall be submitted to MAPTIS in a MAPTIS-compatible format.

APPROVED FOR PUBLIC RELEASE—DISTRIBUTION IS UNLIMITED

A.2.7.10 Precision

Measurements shall be made to the following precision:

- a. Absolute pressure: ± 3 kPa (± 0.5 psi).
- b. Temperature: ± 3 °C (± 5 °F).
- c. Specimen dimensions: ± 2 mm (± 0.08 in).
- d. Specimen mass: ± 10 mg.

A.2.8 Autogenous Ignition Temperature

A.2.8.1 Purpose

The purpose of this test is to provide information on the temperature at which liquids or solids will ignite spontaneously in elevated-pressure oxygen environments. The test method is designed for high-pressure GOX but may be used in atmospheres from 0.5 percent to 100 percent oxygen.

A.2.8.2 Test Summary

The autogenous ignition temperature test consists of exposing a material in a reaction vessel to a pressurized environment containing 0.5 percent to 100 percent oxygen and heating at a predetermined rate. The minimum temperature required to cause the specimen to ignite spontaneously is denoted by a sudden temperature rise and is considered the autogenous ignition temperature.

A.2.8.3 Test Criteria

This test is used to determine the autogenous ignition temperature (commonly called the autoignition temperature) under specified conditions of the test; therefore, any test criteria are dependent upon the intended use of the material, as evaluated through hazards analyses through engineering assessments for safe system operations.

This procedure provides a numerical value for the temperature at the onset of ignition under controlled conditions. This is only one of a number of properties to be considered in assessing the overall ignitability hazard of a material.

A.2.8.4 Definitions

The definition of the relevant term used in the description of this test method is:

Autogenous ignition temperature: The lowest temperature at which a material will spontaneously ignite under specific test conditions.

APPROVED FOR PUBLIC RELEASE—DISTRIBUTION IS UNLIMITED

NASA-STD-6001B

A.2.8.5 Test Conditions

The test conditions shall be identical to those described in ASTM G72, Standard Test Method for Autogenous Ignition Temperature of Liquids and Solids in a High-Pressure Oxygen-Enriched Environment.

A.2.8.6 Test Systems and Procedures

- a. The test systems and procedures shall be identical to those described in ASTM G72.
- b. At least five specimens shall be tested under each test condition.

A.2.8.7 Reporting

- a. The test report shall include specimen identification, the method used, test conditions, ignition temperature, temperature rise on ignition, and observations from the test.
- b. The test report shall be submitted to MAPTIS in a MAPTIS-compatible format.

A.2.8.8 Precision

Measurements shall meet the ASTM G72 precision requirements.

A.2.9 Heat of Combustion

A.2.9.1 Purpose

The purpose of this test is to provide information on the heat evolved per unit mass when a polymeric material is completely burned in GOX.

A.2.9.2 Test Summary

Heat of combustion is determined by burning a weighed specimen in a GOX environment in a bomb calorimeter under controlled conditions. The heat of combustion is calculated from temperature measurements before, during, and after combustion.

A.2.9.3 Test Criteria

This test is used to determine the heat of combustion of nonmetals. Any test criteria are dependent upon the intended use of the material, as evaluated through hazards analyses by engineering assessments to ensure safe systems operations. The heat of combustion is

APPROVED FOR PUBLIC RELEASE—DISTRIBUTION IS UNLIMITED

NASA-STD-6001B

only one of a number of properties to be considered in assessing the overall oxygen compatibility of a material.

A.2.9.4 Definitions

Definitions of relevant terms used in the description of this test method are:

Gross heat of combustion: The quantity of heat released when a unit mass of fuel is burned in a constant volume enclosure, with the products being gaseous, other than water that is condensed to the liquid state.

Net heat of combustion: The quantity of heat released when a unit mass of fuel is burned at constant pressure, with all of the products, including water, being gaseous.

A.2.9.5 Test Conditions

The test conditions shall be identical to those described in ASTM D240, Standard Test Method for Heat of Combustion of Liquid Hydrocarbon Fuels by Bomb Calorimeter, or in ASTM D4809, Standard Test Method for Heat of Combustion of Liquid Hydrocarbon Fuels by Bomb Calorimeter (Precision Method).

A.2.9.6 Test Systems and Procedures

The test systems and procedures shall be identical to those described in ASTM D240 or ASTM D4809.

The gross heat of combustion is determined experimentally; however, the net heat of combustion is the quantity more commonly used. The gross heat of combustion for polymers of interest (especially oxygen systems) is conservative when compared with the net heat of combustion by ~0.6 MJ/kg (~150 cal/g) or less. The gross heat of combustion is adequate for evaluating materials compatibility for oxygen compatibility applications.

A.2.9.7 Reporting

- a. The test report shall include specimen identification, the method used, test conditions, gross heat of combustion, and observations from the test.
- b. The test report shall be submitted to MAPTIS in a MAPTIS-compatible format.

A.2.9.8 Precision

Measurements shall meet the ASTM D240 or ASTM D4809 precision requirements.

APPROVED FOR PUBLIC RELEASE—DISTRIBUTION IS UNLIMITED

NASA-STD-6001B

A.2.10 Oxygen Index

A.2.10.1 Purpose

The purpose of this test is to provide information on the relative flammability of materials. It is a useful screen for determining whether previously untested nonmetallic materials are likely to be acceptable for use in oxygen systems, but its results cannot be used for absolute prediction of oxygen compatibility.

A.2.10.2 Test Summary

The oxygen index is determined by burning the material in a candle-like configuration and varying the oxygen concentration to find the lowest oxygen concentration that will support combustion.

A.2.10.3 Test Criteria

This test is used to determine the oxygen index of nonmetals. Any test criteria are dependent upon the intended use of the material, as evaluated through hazards analyses by engineering assessments to ensure safe systems operations. The oxygen index is only one of a number of properties to be considered in assessing the overall oxygen compatibility of a material.

A.2.10.4 Definitions

The definition of the relevant term used in the description of this test method is:

Oxygen index: The minimum concentration of oxygen, expressed as a volume percent, in a mixture of oxygen and nitrogen that will just support flaming combustion of a material initially at room temperature under the conditions of ASTM D2863, Standard Test Method for Measuring the Minimum Oxygen Concentration to Support Candle-Like Combustion of Plastics (Oxygen Index).

A.2.10.5 Test Conditions

The test conditions shall be identical to those described in ASTM G125, Standard Test Method for Measuring Liquid and Solid Material Fire Limits in Gaseous Oxidants, or ASTM D2863.

A.2.10.6 Test Systems and Procedures

The test systems and procedures shall be identical to those described in ASTM G125 or ASTM D2863.

APPROVED FOR PUBLIC RELEASE—DISTRIBUTION IS UNLIMITED

NASA-STD-6001B

A.2.10.7 Reporting

- a. The test report shall comply with ASTM G125 or ASTM D2863.
- b. The test report shall be submitted to MAPTIS in a MAPTIS-compatible format.

A.2.11 Electrical Arc Test

A.2.11.1 Purpose

Electrical arc tests are designed to determine the voltage and current needed to produce ignition in polymeric materials.

A.2.11.2 Test Criteria

A material shall pass at the test conditions if there is no ignition in 60 tests.

Typically, the test current is varied to determine the threshold for ignition of the material.

A.2.11.3 Test Conditions

The following test conditions shall be determined by the OCA or by the test requester: test pressure, oxygen concentration, test specimen material/configuration, voltage, and current.

A.2.11.4 Specimen Preparation

The test specimen configuration shall be specified in the OCA or by the test requester.

This preparation may include fraying the test materials with a noncontaminating wire brush.

A.2.11.5 Test System

Electrical arc tests are performed in a chamber pressurized with GOX or a specified gas mixture. The apparatus includes a single strand of wire in contact with the test material (figure 5, Electrical Arc Test Apparatus). The test chamber accommodates a gas inlet and outlet, a view window for normal and high-speed video recording, a test specimen mounting block (with built-in heat exchanger for temperature control), a thermocouple for temperature measurement, and power for the electrical arcing. The system is capable of a maximum test pressure of 689 kPa (100 psia). The power supply is designed to simulate batteries, while allowing flexibility for different voltages and currents during testing.

APPROVED FOR PUBLIC RELEASE—DISTRIBUTION IS UNLIMITED

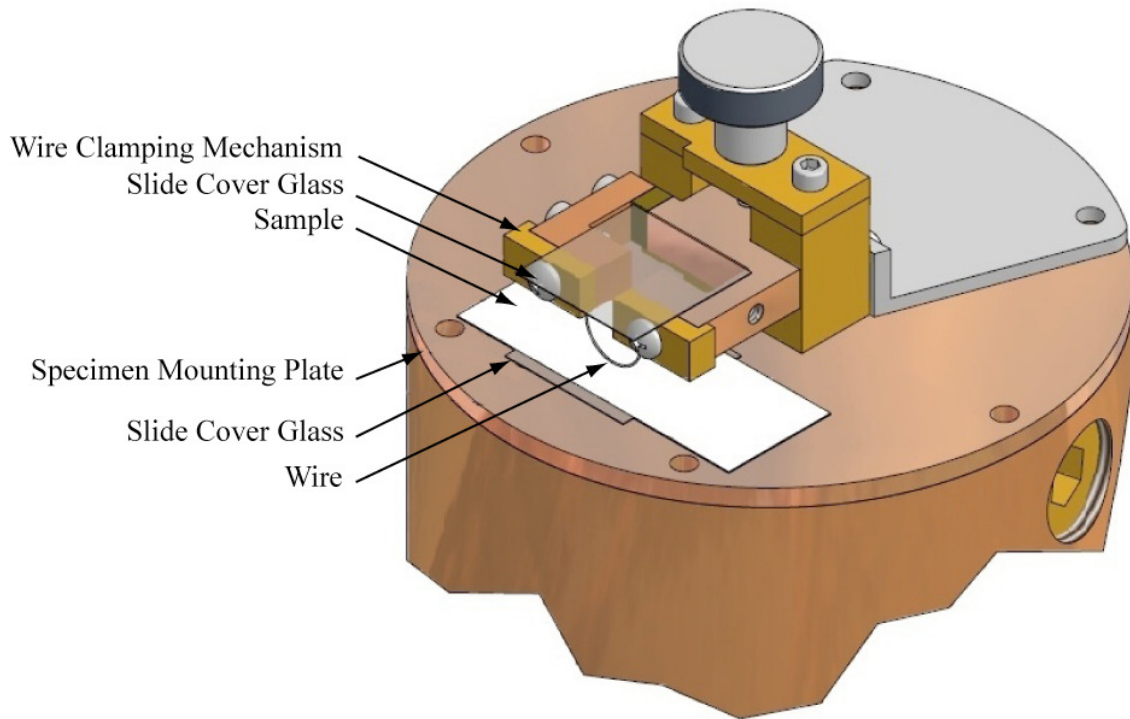


Figure 5—Electrical Arc Test Apparatus

A.2.11.6 Test Procedure

- a. Before testing begins, the test voltage is set to correspond to the predetermined test conditions, and the current is set slightly lower than the desired test conditions.*
- b. The appropriate wire size is determined, and the wire is clamped into place.*
- c. The test chamber is sealed, purged, and pressurized with the specified pressure and oxygen concentration.*
- d. Power is then applied to the wire, and the test conductor manually increases the current until the wire breaks, creating an arcing event.*
- e. If an ignition occurs, testing is continued at a lower current level.*
- f. If no ignition occurs, high-speed video and visual inspection are used to verify that the wire broke in the desired location and was in contact with the test specimen. Each test consists of one wire-break event, which is observed for visual evidence of test material ignition.*

NASA-STD-6001B

A.2.11.7 Reporting

- a. The test report shall include specimen material and configuration, test pressure, oxygen concentration, and current/voltage required for ignition.
- b. The test report shall be submitted to MAPTIS in a MAPTIS-compatible format.

A.2.12 Frictional Heating

A.2.12.1 Purpose

The GOX and LOX frictional heating tests are designed to evaluate a material's susceptibility to ignition by frictional heating. These tests include rotational friction tests and reciprocal friction tests. Frictional heating tests can be used to accomplish the following objectives:

- a. *To assess the ability of a pair of materials to convert mechanical energy to thermal energy during rubbing.*
- b. *To determine the coefficient of friction and wear.*
- c. *For rotational friction tests, to determine the minimum contact pressure (P) required to ignite a test material specimen at a given linear surface velocity (v). This product (Pv_{ign}) is used to rank the relative ignition resistance of materials.*
- d. *For reciprocal friction tests, to determine whether the materials will ignite at the test frequency profile and displacement of movement.*

A.2.12.2 Test Criteria

The test criteria shall be defined in the OCA.

For both rotational and reciprocal friction tests, ignition is detected typically by a significant and rapid temperature increase, displacement, or a change in pressure (an initial pressure drop followed by a pressure increase). After termination of the test, the test specimens are inspected visually for consumed material.

A.2.12.3 Definitions

Definitions of relevant terms used in the description of this test method are:

P: Minimum contact pressure.

v: Linear surface velocity.

APPROVED FOR PUBLIC RELEASE—DISTRIBUTION IS UNLIMITED

NASA-STD-6001B

A.2.12.4 Test Conditions

The test parameter values shall be determined by the OCA or by the test requester.

The test parameters for frictional heating tests are pressure, oxygen concentration (for GOX tests), rotational speed (for rotational friction tests), frequency profile and displacement of movement (for reciprocal friction tests), normal force, and test specimen materials.

Most of the existing friction data was generated using rotational friction at the following standard set of conditions, which may be useful for comparing data:

- a. The oxygen pressure is maintained constant at 6.9 MPa (1000 psig) for GOX tests and 2.1 MPa (300 psig) for LOX tests.*
- b. The rotational speed is maintained constant at 17,000 revolutions per minute (rpm).*
- c. The normal load is increased from 0 at a rate of 1.6 to 1.7 N/sec (7 to 7.5 lbf/sec) to the point of specimen failure or to the maximum load capacity of the test system.*

Any of these test conditions may be changed to meet the recommendations in the OCA.

A.2.12.5 Specimen Preparation

- a. The test specimen configuration shall be specified in the OCA or by the test requester.
- b. Before testing, the specimens shall be prepared according to the end-use application or by washing with any warm liquid detergent solution, rinsing with deionized water, and drying with GN₂.
- c. The specimens shall then be sealed in clean bags until test.
- d. From this point, the specimens shall be handled with clean, powder-free, lint-free gloves to maintain cleanliness.

Most of the existing rotational friction data was generated with specimens configured as follows, which may be useful for comparing data:

For each rotational friction test, one test specimen remained stationary and one specimen rotated. The test apparatus was configured as shown in figure 6, Frictional Heating Test System. Figure 7, Rotational Frictional Heating Stationary Test Specimen, shows test specimen configuration. The stationary test specimen had two thermocouple holes

APPROVED FOR PUBLIC RELEASE—DISTRIBUTION IS UNLIMITED

NASA-STD-6001B

(0.1 cm (0.039 in) in diameter) on its radial side. The rotational test specimens were fabricated similarly but without the 0.1-cm (0.039-in) diameter holes.

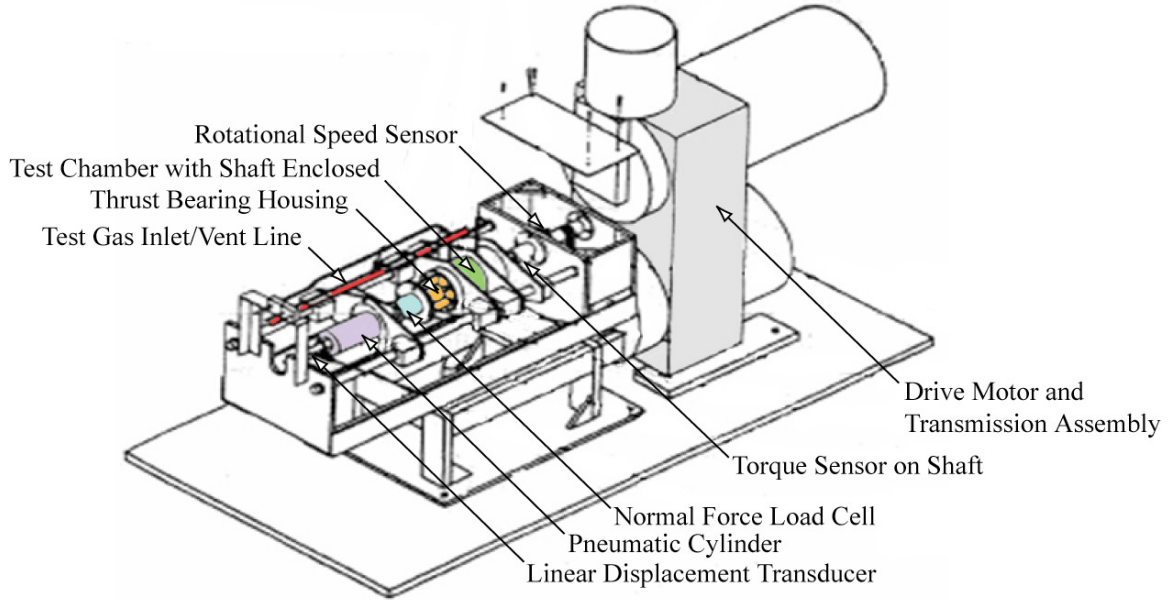


Figure 6—Frictional Heating Test System

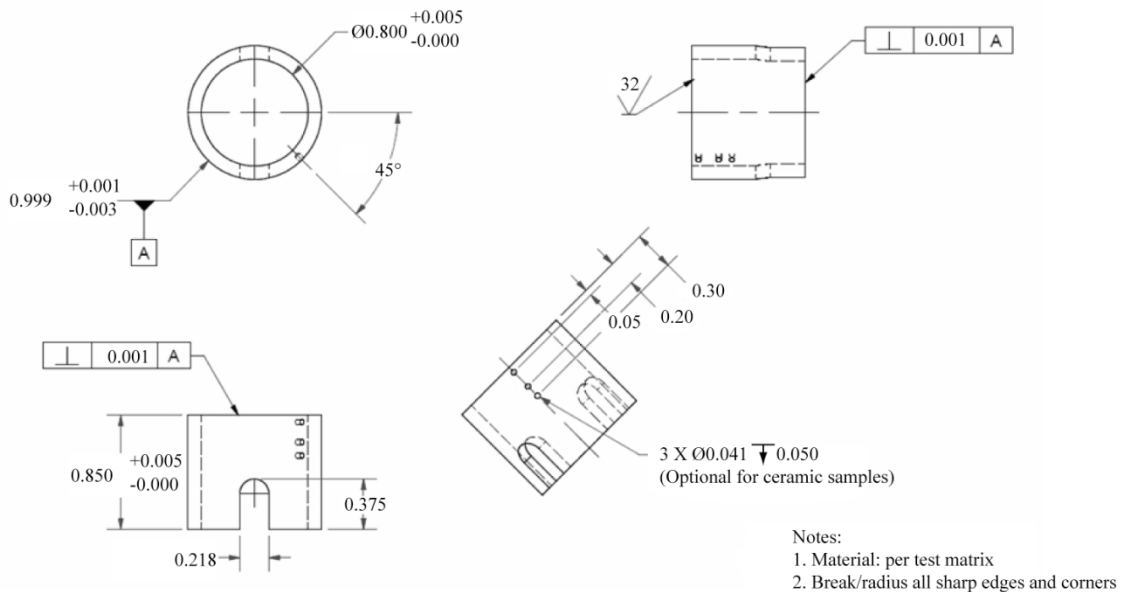


Figure 7—Rotational Frictional Heating Stationary Test Specimen
 (all dimensions in inches)

APPROVED FOR PUBLIC RELEASE—DISTRIBUTION IS UNLIMITED

NASA-STD-6001B

A.2.12.6 Test System

The test system varies, depending on which test is used and where the test is performed.

Most of the existing rotational friction data was generated using an apparatus similar to that shown in figures 6 and 8, High-Pressure Test Chamber. This apparatus consists of a high-pressure test chamber, an electrical motor, a transmission assembly, and a pneumatic actuation cylinder. The chamber contains a rotating shaft that extends through the chamber by a series of bearings and seals. The shaft is connected at one end to a drive motor/transmission assembly that is capable of rotating the shaft at rotational speeds from 1000 to 27,000 rpm. The other end of the shaft is connected to a pneumatically actuated cylinder that allows axial movement of the shaft and provides the capability of applying a normal load of up to 4450 N (1000 lbf) to the test specimen. The rotating test specimen is mounted on the shaft, and the stationary test specimen is affixed to the test chamber.

The rotating test specimen has an average linear surface velocity, relative to the stationary specimen, of approximately 20.5 m/sec (67.2 ft/sec) when the shaft rotates at 17,000 rpm.

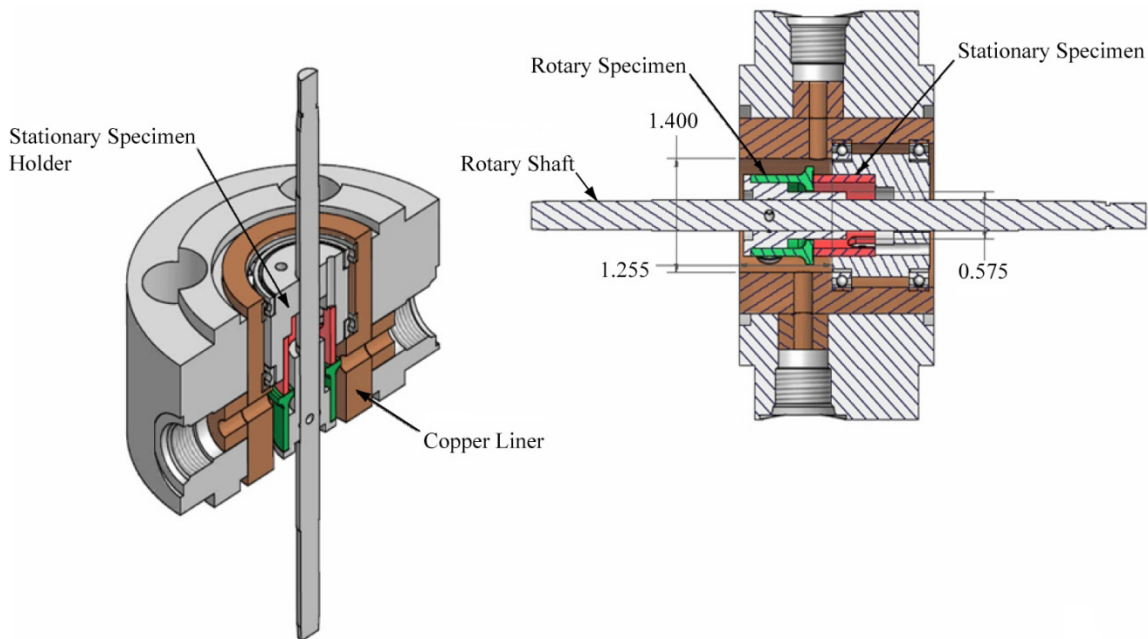


Figure 8—High-Pressure Test Chamber

APPROVED FOR PUBLIC RELEASE—DISTRIBUTION IS UNLIMITED

A.2.12.7 Pre-Test and Test Procedures

The pre-test and test procedures vary, depending on which test is used and where the test is performed.

A.2.12.8 Reporting

- a. Results of frictional heating tests shall be summarized in a report that includes documentation of the specimen materials and configuration, the test conditions and apparatus, and test results.
- b. If the coefficient of friction is calculated from the data, this value shall be reported.
- c. Pre- and post-test photographic images of the test specimens shall be included in the report.
- d. The test report shall be submitted to MAPTIS in a MAPTIS-compatible format.

A.2.13 Particle Impact Test

A.2.13.1 Purpose

Particle impact tests are designed to evaluate the susceptibility of materials or components to ignition.

Particle impact tests can be used to accomplish the following objectives:

- a. *To determine the conditions at which ignition and consumption of a material occurs when impacted by single or multiple particles entrained in a flow of GOX.*
- b. *To determine if a specific material or component is subject to ignition and sustained combustion in a given flow environment when impacted by single or multiple particles entrained in a flow of GOX.*

NASA-STD-6001B

A.2.13.2 Test Criteria

- a. The test criteria shall be defined in the OCA or by the test requester.

The following criteria are typically applied:

For testing materials:

No ignition: Characterized by no evidence of combustion. A material that does not ignite may show one or more particle indentations on the surface. These indentations may include localized erosion.

Ignition: A portion of or the entire specimen is consumed, and the target is not recoverable.

For testing components:

No ignition: Characterized by no evidence of combustion. A component that does not ignite may show one or more particle indentations on the inside surface of the component. These indentations may include localized erosion.

Ignition: Characterized by obvious consumption of the component, which may include burnout.

Typically for materials, the test conditions are varied to determine the threshold for ignition.

- b. For component tests, a minimum of 60 tests shall be performed at a single set of conditions on a single component.

- (1) If there are no ignitions in 60 tests, the component shall pass the test at the test conditions.
- (2) One ignition in 60 tests shall constitute failure of the test at the test conditions.

A.2.13.3 Definitions

Definitions of relevant terms used in the description of this test method are:

High-velocity particle impact: Tests are performed using the supersonic particle impact test fixture. Gas stream velocities in this test system are supersonic (>Mach 1). Gas velocities vary with the temperature and pressure of the GOX system.

APPROVED FOR PUBLIC RELEASE—DISTRIBUTION IS UNLIMITED

NASA-STD-6001B

Low-velocity particle impact: Tests are performed with the subsonic particle impact test fixture. Gas stream velocities in this system are up to 180 m/sec (600 ft/sec).

A.2.13.4 Test Conditions

a. The following test conditions shall be determined by the OCA or by the test requester: gas/target temperature, target pressure, gas velocity, target material/configuration, and particle configuration (size, material, and quantity).

b. Components shall be tested at the worst-case conditions as determined by the OCA or by the test requester.

Typically, material tests are performed with 2000- μ m (0.08-in) diameter aluminum 2017 particles at supersonic velocity and an upstream test pressure of 27.6 (\pm 0.7) MPa (4000 (\pm 100) psig). These conditions may be considered the standard test parameters with which to rank materials against each other for resistance to ignition by particle impact. The majority of the supersonic data generated was generated at this standard set of conditions.

A.2.13.5 Specimen Preparation

a. The test specimen configuration shall be specified in the OCA or by the test requester.

b. Before testing, material specimens shall be prepared according to the end-use conditions or by washing with any liquid detergent solution, rinsing with deionized water, and drying with GN₂.

c. The specimens shall then be sealed in clean bags until testing.

d. From this point on, the targets shall be handled with powder-free, lint-free gloves to maintain cleanliness.

e. The configurations of test targets for the low- and high-velocity testing shall be as follows:

(1) Material Specimens.

A. High-Velocity Particle Impact Material Specimen Preparation (figure 9, High-Velocity Particle Impact Target Specimen Configuration):

Specimens are cup-shaped with an outside diameter of 0.99 cm (0.390 in) and a target surface thickness of 1.5 cm (0.060 in). Each specimen is press fit onto a copper specimen holder for testing.

APPROVED FOR PUBLIC RELEASE—DISTRIBUTION IS UNLIMITED

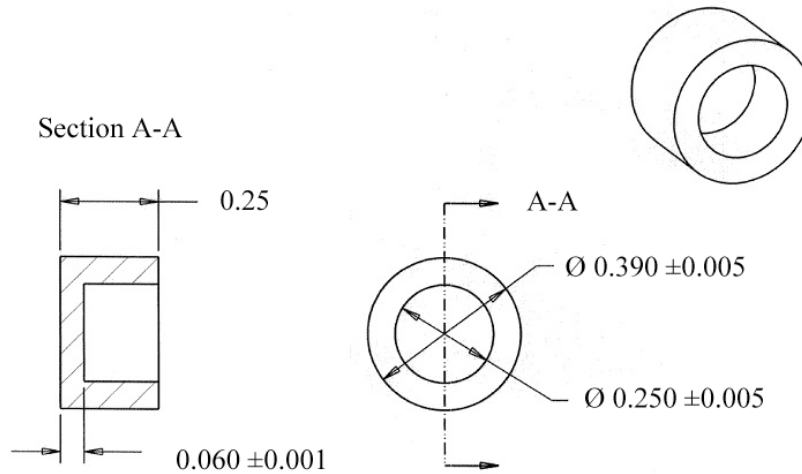


Figure 9—High-Velocity Particle Impact Target Specimen Configuration
(all dimensions are in inches)

B. Low-Velocity Particle Impact Material Specimen Preparation (figure 10, Low-Velocity Particle Impact Target Specimen Configuration):

Specimens are flat discs, 1.5 cm (0.060 in) thick, with holes drilled radially to allow flow through the outer edge of the target.

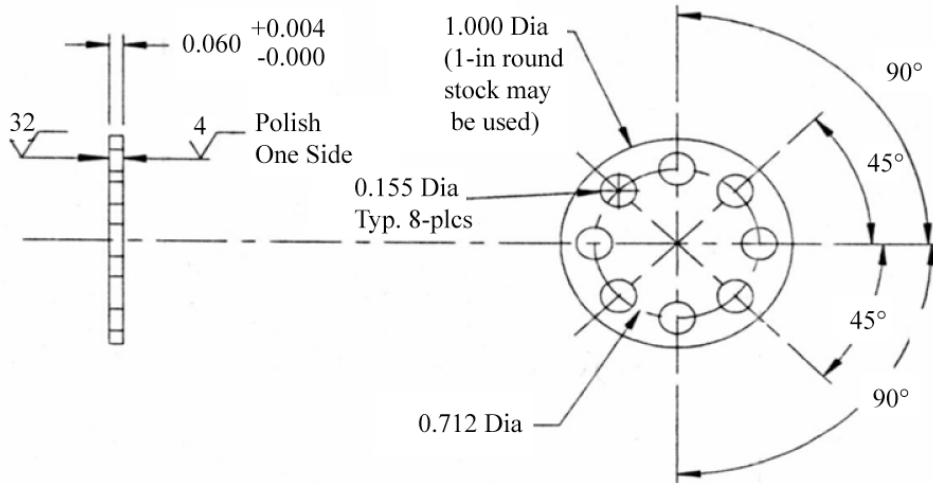


Figure 10—Low-Velocity Particle Impact Target Specimen Configuration
(all dimensions are in inches)

NASA-STD-6001B

- (2) Component Testing: Components shall be configured in their end-use configuration.

Components can be adapted to either the high- or low-velocity test systems.

A.2.13.6 Test System

- a. Particle impact tests shall be conducted in a facility capable of supplying heated GOX at the desired test pressure.
- b. High-velocity particle impact test system: The test specimen shall be placed on a mounting post directly in line with the gas flow stream.

The high-velocity particle impact test system (figure 11, High-Velocity Particle Impact Test System) consists of four major sections: the particle injector assembly, gas inlet and flow straightener, converging-diverging nozzle, and specimen holder. GOX enters the system at subsonic velocities. As the gas enters the converging portion of the nozzle and continues into the throat, it accelerates to a velocity of ~Mach 1. The gas expands as it enters the diverging portion of the nozzle and accelerates to supersonic velocities. The gas stream impinges on the specimen face, creating a stagnation pressure, and flows around the specimen. (This stagnation pressure is lower than the upstream pressure.)

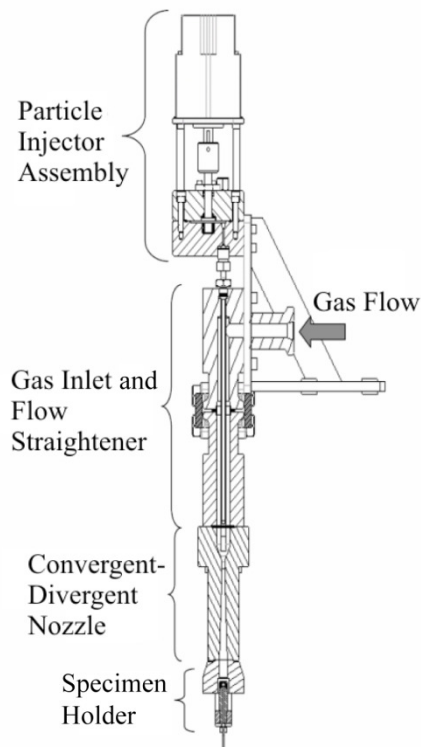


Figure 11—High-Velocity Particle Impact Test System

APPROVED FOR PUBLIC RELEASE—DISTRIBUTION IS UNLIMITED

NASA-STD-6001B

The following describes testing steps for an example test facility configuration; other facility configurations may lend themselves to variations of this description:

- (1) A bare wire thermocouple is sandwiched between the back face of the test specimen and the specimen post.*
- (2) The post is placed in a quick-change holder, which mounts on the outlet of the convergent-divergent nozzle.*
- (3) The upstream GOX pressure is measured by two bonded strain-gauge pressure transducers located upstream of the inlet.*
- (4) The flow stream (GOX) temperature is measured by a Type-T thermocouple located in approximately the same location.*
- (5) The bare wire thermocouple, mounted behind the specimen, measures the test specimen temperature. This temperature is reported as the test temperature.*

c. Low-velocity particle impact test system:

The low velocity test system delivers GOX at velocities up to 183 m/sec (600 ft/sec), and it consists of the particle injector, the flow straightener, and the impact chamber (figure 12, Low-Velocity Particle Impact Test System).

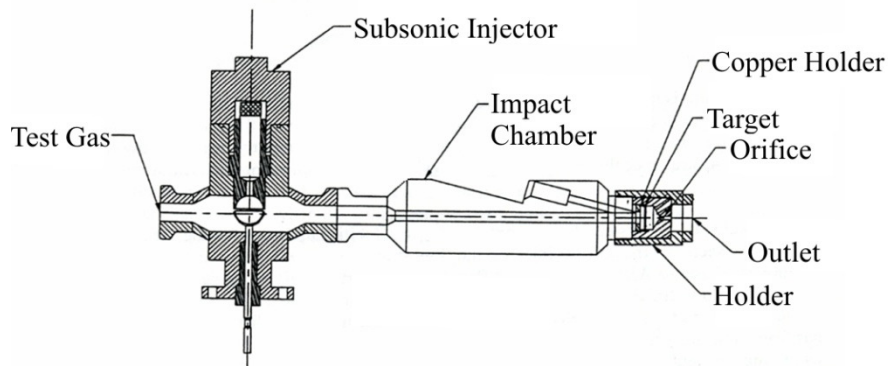


Figure 12—Low-Velocity Particle Impact Test System

- (1) A flow orifice, sized to produce the desired gas velocity, shall be placed immediately downstream of either the material specimen or component.
- (2) GOX shall enter the particulate injector at subsonic velocities and flow through the flow straightener section and around the target specimen in the impact chamber.

APPROVED FOR PUBLIC RELEASE—DISTRIBUTION IS UNLIMITED

NASA-STD-6001B

The following describes testing steps for an example test facility configuration; other facility configurations may lend themselves to variations of this description.

- A. The upstream GOX pressure is measured by a bonded strain-gauge pressure transducer mounted in the flow straightener of the test fixture, located upstream of the inlet.*
- B. The flow stream (GOX) temperature is measured by a Type-T thermocouple located in approximately the same location. This temperature is reported as the test temperature.*

A.2.13.7 Test Procedure

The following steps describe the testing procedure for an example test facility configuration; other facility configurations may lend themselves to variations of this description:

- a. Particles are loaded into the particle injector, and the test material or component is configured for testing.*
- b. A high-speed video camera is recommended to record the test.*
- c. GOX at the desired test pressure and temperature is allowed to flow until the temperature of the target specimen or component is achieved and the gas flow stabilizes.*
- d. The particle(s) are injected into the flow stream.*
- e. After impact, the GOX flow is terminated, and the test system is allowed to vent to ambient pressure.*
- f. To verify that particle impacts have occurred, the presence of a flash is noted, and the target specimen or component is inspected visually.*
- g. At the completion of test data storage and specimen inspection, the procedure is repeated until the specimen has either passed or failed testing.*

A.2.13.8 Reporting

- a. Results of particle impact tests shall be summarized in a report that includes documentation of the specimen target material or component, the particle material and size, the test conditions, and the response of each target to impact.*
- b. Pre- and post-test photographic images of the test specimens shall be included in the report.*

APPROVED FOR PUBLIC RELEASE—DISTRIBUTION IS UNLIMITED

NASA-STD-6001B

- c. The test report shall be submitted to MAPTIS in a MAPTIS-compatible format.

APPROVED FOR PUBLIC RELEASE—DISTRIBUTION IS UNLIMITED

APPENDIX B

CERTIFICATION OF FACILITIES

B.1 Purpose and/or Scope

The purpose of this appendix is to provide requirements for certification of facilities.

B.2 Certification of test facilities shall be obtained for the performance of any of the required tests included in this document.

Certification is necessary because data from these tests will be presented for materials selection approval.

B.3 Certification shall be the responsibility of a panel appointed by the NASA Office of the Chief Engineer.

B.4 The certification panel shall consist of M&P representatives from NASA-certified facilities and be supported by specialists in appropriate disciplines to evaluate specific test methods.

B.5 An application for certification shall be submitted according to requirements listed below:

a. The test facility applying for certification shall prepare and submit detailed written procedures to perform all aspects of the subject test methods to the certification panel for review.

b. Procedures shall include provisions for instrument calibration, specimen preparation, test chamber certification, test atmosphere analysis or verification, data analysis, report preparation, quality control provisions, recording and archiving of test data, materials control, and control of flight articles.

c. The test facility procedures shall also include the definition of the minimum acceptable personnel qualifications, training requirements, and personnel certification procedures.

d. Changes to these procedures shall be maintained and made available at the request of the certification panel.

e. The test facility also shall supply documentation demonstrating that operations performed in the subject test methods present no hazards to personnel or flight hardware.

APPROVED FOR PUBLIC RELEASE—DISTRIBUTION IS UNLIMITED

NASA-STD-6001B

Facilities certified to ISO/IEC 17025, General requirements for competence of testing and calibration laboratories, are considered to have met the requirements of section B.5.

B.6 The certification panel shall perform an on-site inspection to ensure that the test facility can perform the methods from receipt of a material to issuance of a final report.

B.7 The certification panel shall recommend to the NASA Office of the Chief Engineer certification of the test facility on the basis of compliance with this document.

The NASA Office of the Chief Engineer has the authority to certify the test facility.

B.8 The certification panel and test facility shall maintain certification records.

B.9 NASA certification of a test facility shall be maintained by meeting the following requirements:

a. The test facility shall perform the required test method(s) for which it is certified at least once in an 18-month period from its certification date and report the data to MAPTIS.

b. The test facility shall have participated with other NASA-certified test facilities in the most recent round-robin testing for the test method.

c. Round-robin tests for Test 1, Test 4, and Test 7 shall be conducted at least every 2 years.

Round-robin tests are recommended for other tests in this Standard.

d. The test data shall have been reviewed and approved by the certification panel or the panel's designees.

e. Facility test procedures shall be available for audit by the certification panel.

B.10 All instrumentation used in the test shall be in current calibration and, where available, bear the appropriate documentation to validate traceability to the appropriate national, international, or intrinsic measurement standards.

B.11 The test facility shall ensure and certify that all testing is accomplished in accordance with approved test plans and procedures and that the data records and test results are complete and accurate.

B.12 Complete test records shall be prepared by the test facility for each material or system tested.

APPROVED FOR PUBLIC RELEASE—DISTRIBUTION IS UNLIMITED

NASA-STD-6001B

B.13 The test facility shall maintain certification and test data records for the life of the facility.

B.14 Records and data shall be submitted to MAPTIS in a MAPTIS-compatible format.

The NASA Chief Engineer reserves the right to conduct an on-site audit of any certified test facility at any time.

APPROVED FOR PUBLIC RELEASE—DISTRIBUTION IS UNLIMITED

APPENDIX C

REFERENCE DOCUMENTS

C.1 Purpose and/or Scope

The purpose of this appendix is to provide guidance made available in the reference documents listed below.

C.2 Reference Documents

ASTM

ASTM D92 Standard Test Method for Flash and Fire Points by Cleveland Open Cup Tester

ASTM D1310 Standard Test Method for Flash Point and Fire Point of Liquids by Tag Open-Cup Apparatus

ISO

ISO 14624-4 Space systems — Safety and compatibility of materials — Part 4: Determination of upward flammability of materials in pressurized gaseous oxygen or oxygen-enriched environments

ISO/IEC 17025 General requirements for competence of testing and calibration laboratories

NASA

JSC 29353 Flammability Configuration Analysis for Spacecraft Applications

NPR 7120.5 NASA Space Flight Program and Project Management Requirements

APPENDIX D

SUBMITTING MATERIAL FOR TESTING

D.1 Purpose and/or Scope

The purpose of this appendix is to provide requirements for submitting materials for testing.

The quality of the data obtained from the test material or assembled article is dependent on the proper identification and packaging of the material/assembled article for submission for test.

Failure to follow good practice may result in unnecessary delays or a loss in confidence in the data obtained.

D.2 Submitting Material

D.2.1 The test material shall be free of flaws and visual contamination.

D.2.2 *The minimum quantity of material to be submitted for each test is shown in table 3.*

D.2.3 *Solid material should be packaged in a visibly clean, sealed bag (for example, zip-locked, heat-sealed, taped) that is compatible with the specimen material. The test material name, as specified by the manufacturer, should appear on the exterior of the bag; the material itself should not be marked. Non-solid materials may be packaged in the original manufacturing container.*

D.2.4 *Electrostatic-discharge-sensitive items and hardware should be packaged in accordance with their end-use specification.*

D.2.5 Documentation

- a. The MSDS shall be provided.
- b. If the test facility is to prepare material specimens, the manufacturer's literature or preparation instructions, at a minimum, shall be provided.
- c. A completed test request form (section D.3 in this Standard) shall be submitted.

Table 6, Key for Completing "Check Test(s) to be Performed" Section, provides a key for completing the Test Information section of the test request form.

APPROVED FOR PUBLIC RELEASE—DISTRIBUTION IS UNLIMITED

NASA-STD-6001B

Table 6—Key for Completing “Check Test(s) to be Performed” Section

Test Number	Test Title
1	Upward Flammability
2	Heat and Visible Smoke Release Rate
3	Flash Point of Liquids
4	Electrical Wire Insulation Flammability
6	Odor Assessment
7	Determination of Offgassed Products
10	Configurational Flammability
13a	Mechanical Impact for Materials in Ambient Pressure LOX
13b	Mechanical Impact for Materials in Variable Pressure GOX and LOX
15	Reactivity of Materials in Hydrazine, Monomethylhydrazine, Unsymmetrical Dimethylhydrazine, Aerozine 50, Nitrogen Tetroxide, and Ammonia
17	Upward Flammability of Materials in GOX
18	Arc Tracking
AIT	Autogenous Ignition Temperature
EA	Electrical Arc
FH	Frictional Heating
GFI	Gaseous Fluid Impact for Components
HC	Heat of Combustion
IE	Reactivity and Penetration of Materials due to Incidental Exposure to Hydrazine, Monomethylhydrazine, Unsymmetrical Dimethylhydrazine, Aerozine 50, Nitrogen Tetroxide, and Ammonia
OCA	Oxygen Compatibility Assessment
OI	Oxygen Index
PI	Particle Impact
Special	Other tests (not governed by NASA-STD-6001B), e.g., Volatile Condensable Material

D.3 Test Request Form

Figure 13, Representative Test Request Form, is an example test form. The exact format may vary, depending on the specific test facility.

NASA-STD-6001B

Requester Information		Facility to Complete										
*Name:	Name:	Facility I.D. No.										
*Organization:	Organization:											
*Address:	Address:	Requester Tracking No.										
E-Mail:	E-Mail:	Request Date										
*Phone:	Phone:	Material Code:										
Material/Assembly Information												
*MSDS Attached? Yes <input type="checkbox"/> No <input type="checkbox"/>		*Manufacturing Literature Attached? Yes <input type="checkbox"/> No <input type="checkbox"/>										
*Material/Assembly Name/Designation:		Part Number:	Serial Number:									
Batch/Lot #:		Chemical Class:										
Specification:		*Program:	Flight Hardware									
Cleaning Specification/Method:		*Project:	Yes <input type="checkbox"/> No <input type="checkbox"/>									
Other (date of manufacture, composition, color, acronyms, etc.)												
Manufacturer Information		Supplier Information										
*Name:		Name:										
*Address:		Address:										
*Phone:	Web Address:	Phone:	Web Address:									
*Test Information												
Check test(s) to be performed:												
1	2	3	4	6	7	10	13a	13b	15	17	18	AIT
<input type="checkbox"/>	<input type="checkbox"/>	<input type="checkbox"/>	<input type="checkbox"/>	<input type="checkbox"/>	<input type="checkbox"/>	<input type="checkbox"/>	<input type="checkbox"/>	<input type="checkbox"/>	<input type="checkbox"/>	<input type="checkbox"/>	<input type="checkbox"/>	<input type="checkbox"/>
EA	FH	GFI	HC	IE	OCA	OI	PI	Special:				
<input type="checkbox"/>	<input type="checkbox"/>	<input type="checkbox"/>	<input type="checkbox"/>	<input type="checkbox"/>	<input type="checkbox"/>	<input type="checkbox"/>	<input type="checkbox"/>	<input type="checkbox"/>				
*Number of Specimens Provided:			*Use Atmosphere/Fluid:			*Use Thickness:			Intended Application:			
*Test Atmosphere				*Test Pressure				*Test Temperature				
Mass:			Dimensions:			*Photographic Coverage: Video <input type="checkbox"/> Stills <input type="checkbox"/> None <input type="checkbox"/>						
*Is test data/information restricted? Yes <input type="checkbox"/> No <input type="checkbox"/>						Restriction:						
Cure Information												
*Is cure required? Yes <input type="checkbox"/> No <input type="checkbox"/>							*Has requester performed cure? Yes <input type="checkbox"/> No <input type="checkbox"/>					
*Provide cure method, whether performed by requester or to be performed by test facility, in the following table:												
Step	Time (hr)	Mix Ratio (if applicable)					Temperature (°F)			Pressure (psia)		
1.		Weight <input type="checkbox"/> Volume <input type="checkbox"/>										
2.		Weight <input type="checkbox"/> Volume <input type="checkbox"/>										
3.		Weight <input type="checkbox"/> Volume <input type="checkbox"/>										
Notes/Remarks/Special Instructions												

* Required information

Figure 13—Representative Test Request Form

APPROVED FOR PUBLIC RELEASE—DISTRIBUTION IS UNLIMITED